



ESTRONTM

ESTRON MARKETING PTE. LTD.



PerMat PERFECTMATCHSYSTEM **STC82** ULTRA SLIM SYNCHRONIZE TELESCOPIC SLIDING SYSTEM





PRODUCT FEATURES

The **STC82** sliding system is thoughtfully engineered to achieve a seamless balance of **aesthetics, performance, and practicality**. Featuring a sleek ultra-slim profile paired with functionality, it is an ideal solution for both residential and commercial applications.

Featuring a refined **16x40mm** ultra-slim frame in matte black and white, delivering a clean, modern look. It supports between 8mm – 11.52mm glass thickness, up to 80kg per single panel, 1-6 panels max, combining minimal design with reliable performance.

Designed for flexibility, the system accommodates multiple panel configurations for adaptable layouts, while its easily accessible roller system ensures simple maintenance, smooth operation, and minimal downtime.

STC82 Sliding System

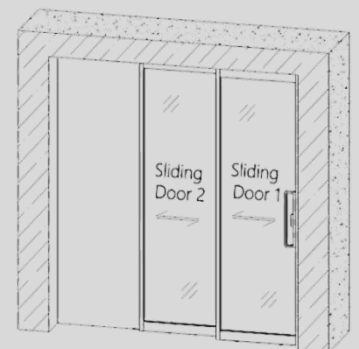
Slim, Smooth, Sophisticated



“Just a 4mm top gap helps reduce air-conditioning leakage, limits dust entry, improving comfort and efficiency!”

KEY FEATURES

- 1 – 6 Panels Max
- Ultra-slim **16x40mm profile** in matte black & white
- Supports **8mm-11.52mm** glass thkness, up to **80kg/panel**
- **Multiple** panel configurations for flexible layouts
- Easy maintenance with **accessible roller system**
- **4mm top gap** reduces air-con leakage and dust entry
- Sleek, modern aesthetic
- Cost-efficient with **balanced performance and style**



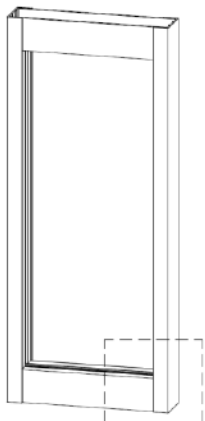
STC82-2S



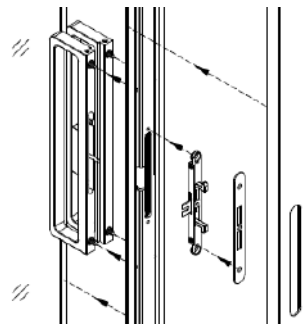
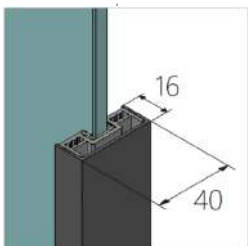
PRODUCT SPECIFICATIONS

Model	Descriptions				
Panel Configurations	1S 	2S 	2S+1F 	3S 	3S+1F
Track Length	2000mm	3000mm		4800mm	
Finishing	Matte Black / White				
Door Width	425mm – 1200mm				
Door Weight	Max. 80kg/panel*				
Door Height	Max. 2800mm				
Door Frame Thk	16mm x 40mm				
Glass Thickness	8mm ~ 11.52mm				
Soft Closing	Two-way soft closing				
Telescopic Synchronize	NIL	Yes			

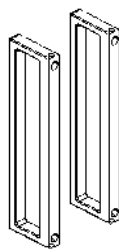
* Maximum width, height, and weight ratings are non-cumulative.



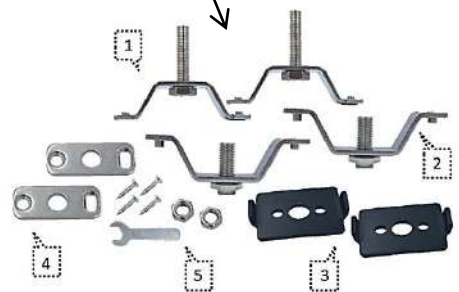
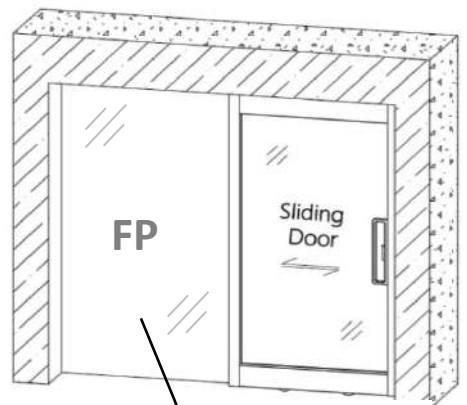
Ultra Slim Profile
16mm x 40mm



STC80-PH2 Installation Guide



STC80-PH2
Handle, Matte Black

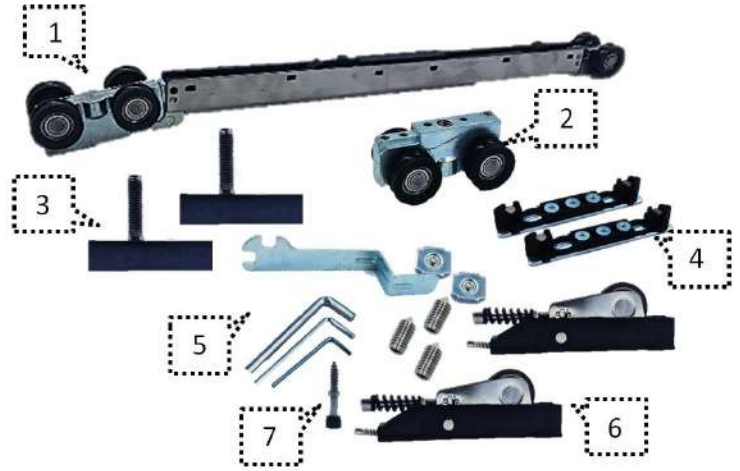




COMPONENT LIST

STC82-1S

1. Soft Closing Barrier Carrier, 1nos
2. Carrier Roller, 2nos
3. Hanging Bracket, 2nos
4. Activator, 2nos
5. Screw Pack, 1set
6. Stabilizing wheel, 2nos
7. Floor Guide, 1nos



STC82-2S

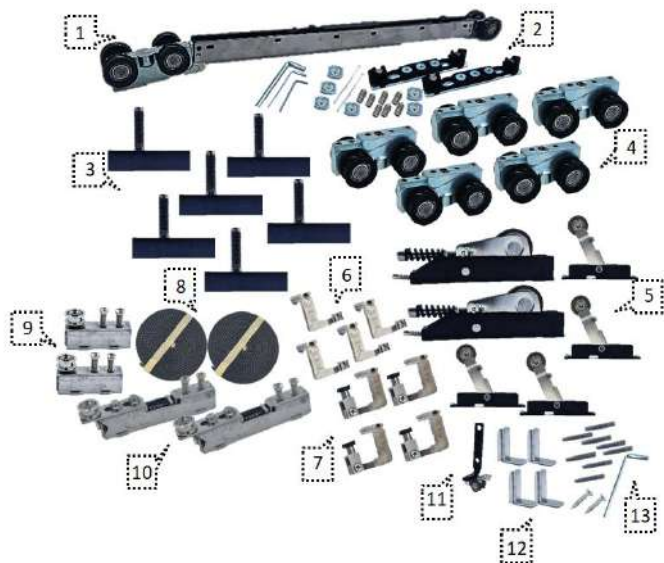
1. Soft Closing Carrier Barrier, 1nos
2. Carriage Roller, 4nos
3. Hanging Bracket, 4nos
4. Activators with screw sets, 1set
5. Stabilizing Wheel Set, 4nos
6. Belt, 1roll
7. Fixed Pulley for Belt, 1nos
8. Tensioner Pulley for Belt, 1nos
9. Floor Guide (L), 2nos
10. Floor Guide (R), 2nos
11. Belt stopper, 2nos
12. Screw set, 1pk
13. Floor guide for multi panels, 1nos





COMPONENT LIST

STC82-3S



1. Soft Closing Carrier Barrier, 1nos
2. Activators with screw sets, 1set
3. Hanging Bracket, 6nos
4. Carriage Roller, 6nos
5. Stabilizing Wheel Set, 6pcs
6. Floor Guide (R), 4nos
7. Floor Guide (L), 4nos
8. Belt, 2nos
9. Fixed Pulley for Belt, 2nos
10. Tension Pulley for Belt, 2nos
11. Floor guide for multi panels, 1nos
12. Stopper, 4nos
13. Screw Pack, 1set

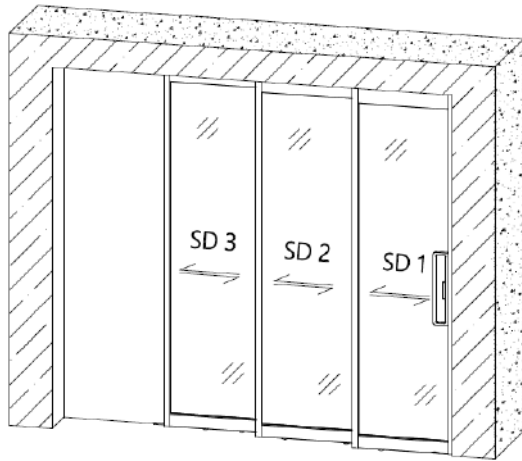
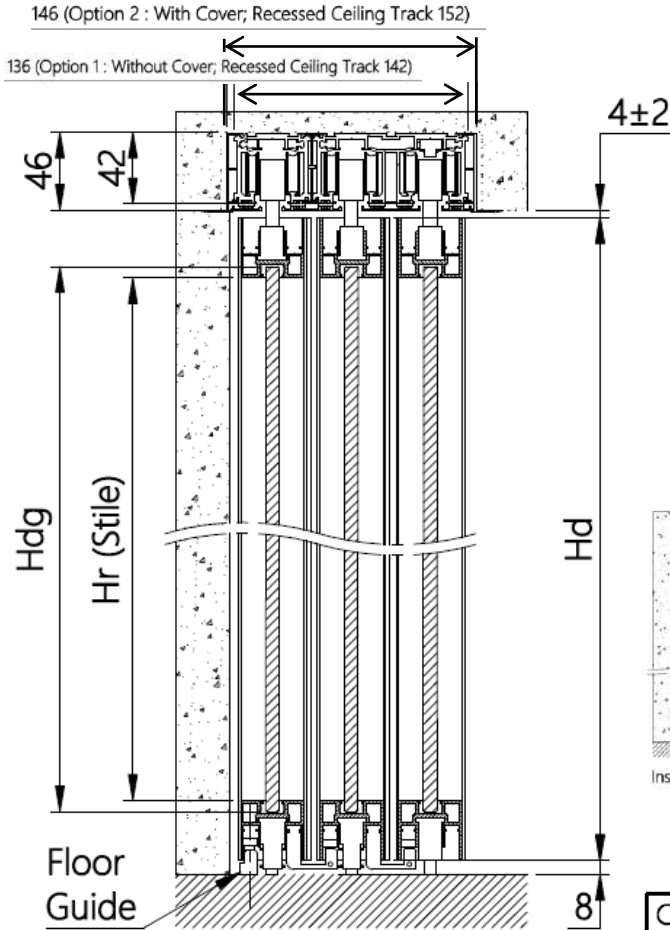
ADDITIONAL COMPONENT LIST

<p>1. STC82-4045 Single Channel Top Track</p>	<p>2. STC82-4090 Double Channel Top Track</p>	<p>3. STC82-4012 Top Track Side Connector</p>	<p>4. STC82-3402 Top Track Double Bottom Cover</p>	<p>5. STC82-1602 Top Track Single Bottom Cover</p>
<p>6. STC82-4510 Top Track Cover</p>	<p>7. STC82-3835 Top & Bottom Door Rail</p>	<p>8. STC82-3812 Stile Frame</p>	<p>9. STC82-4016 Stiles Frame Cover</p>	<p>10. STC82-4216 Stiles Frame Cover</p>
<p>11. STC82-WP48 Rubber Seal Strip</p>	<p>12. STC80-U814 U clip seal 8x13.5mm</p>	<p>13. STC80-EC Bottom Cover Clip For Top Track STC82-4045/4090</p>	<p>14. STC82-WP45 Wool Pile Strip</p>	<p>15. STC82-S418 Screws</p>
<p>16. STC80-PH2 Pull Handle</p>	<p>OPTIONAL</p> <p>17. STC80-PH2L Pull Handle</p>	<p>OPTIONAL</p> <p>18. STC80-PL4 Patch Lock</p>	<p>OPTIONAL</p> <p>19. STC82-FP Fix Panel Set</p>	

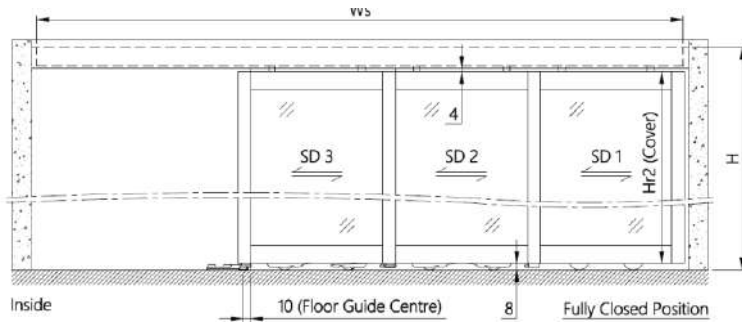
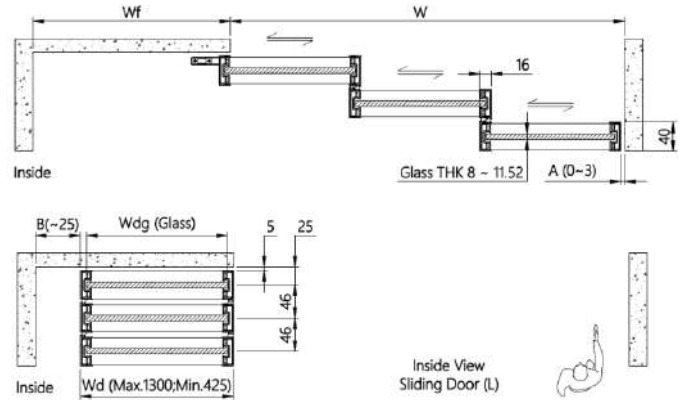


EVALUATION DRAWINGS

STC82-3S



3 Panels Sliding



Code	Description	Formula
W	Wall to Wall Opening Width	Opening Width
H	Floor to Ceiling Height	W x H

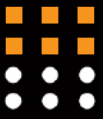
Wd	Door Frame Width	$\frac{W+16+16x(N.O.P-1)-A}{\text{No. Of Panels (N.O.P)}}$
Hd	Door Frame Height	H - 58

Wf	Fixed Panel Width	Wd + B
----	-------------------	--------

Wr	Door Top/Bottom Rail Width	Wd - 5
Hr1	Door Side Stile Height	Hd - 70
Hr2	Door Cover Height	Hd

Wdg	Infilled Glass Panel Width	Wd - 18
Hdg	Infilled Glass Panel Height	Hd - 56

Ws	Track Length	W + Wf - 2
----	--------------	------------



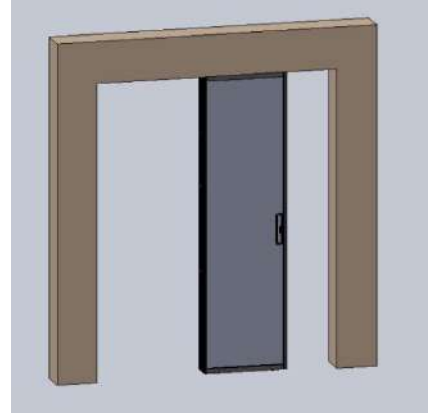
OTHER ULTRA SLIM SLIDING SERIES

Bi-Directional Sync. Telescopic

Featuring BST82-3S

Stackable bi-directional sliding
Up to 6 panels
16mm x 40mm Ultra Slim Profile

Available in White & Matte Black Finishing



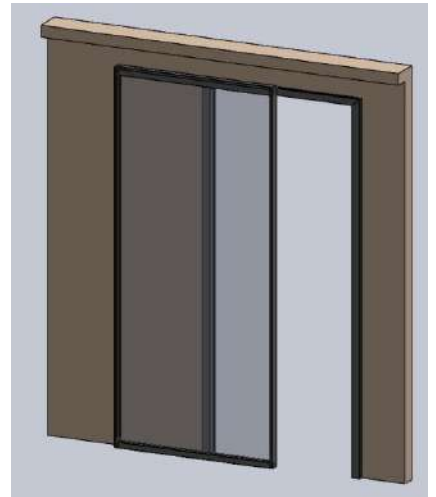
Marval Invisible "Ghost" Door

Featuring MD60

Glides smoothly without visible tracks, creating a striking "floating effect" that enhances the sense of space and openness.

Single Panel
16mm x 42mm Ultra Slim Profile

Available in Matte Black Finishing



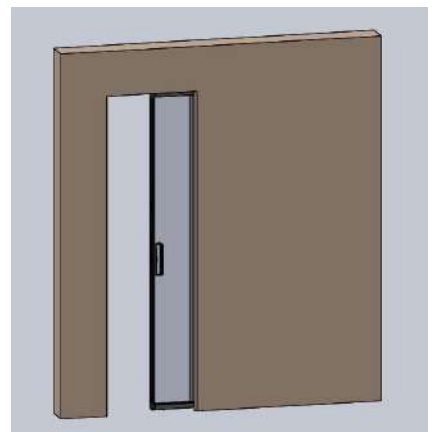
Pocket Invisible Door

Featuring STC82-PD

Slides seamlessly into the wall, creating a clean and clutter-free space.

Up to 2 panels
16mm x 40mm Ultra Slim Profile

Available in Matte Black & White finishing





Estron Marketing Pte. Ltd.

141 Woodlands Industrial Park E5 E-terrace Singapore 757507

tel. +65 6853 9041 fax. +65 6853 9042

e-mail. sales@estron.com.sg url. www.estron.com.sg



*Product improvement is a continuous process,
please check specifications at point of purchase.*