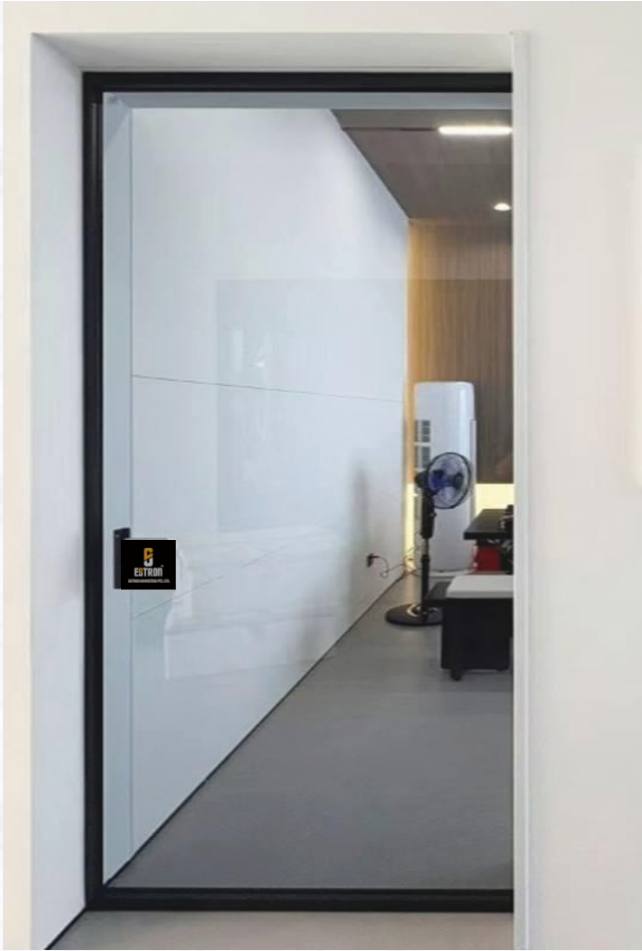




ESTRONTM

ESTRON MARKETING PTE. LTD.



STC82-PD ULTRA SLIM SOFT CLOSING POCKET DOOR



PRODUCT FEATURES

Estron STC82-PD Pocket Door offers a sleek, modern solution that slides seamlessly into the wall, creating a clean and clutter-free space.

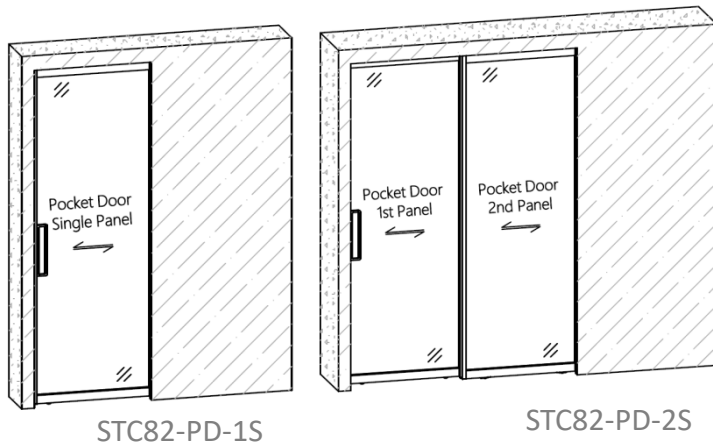
Designed with a slim profile in matte black or white finishes, it complements a wide range of interiors.

With a smooth operation, it adapts effortlessly to different layouts, including single or double sliding configurations.

Ideal for residential or compact spaces, maximizing space with a streamlined look.



Lifestyle illustration



STC82-PD-2S

Ceiling view

KEY FEATURES

- **Soft Closing Mechanism**
- **Ultra-Slim profile 16mm x 40mm** in Matte Black/White finishes.
- Supports **8mm glass thickness** up to **60kg per panel**.
- **Press-to-Release spring** function
- Single /Double **Synchronized Sliding** configurations.
- Clean and streamlined look, **maximizing usable space** for modern living.

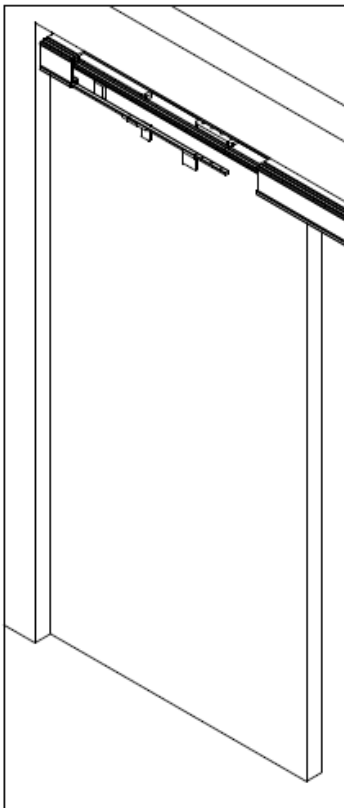
Elevate modern interiors in sophistication of sliding solution designed to disappear seamlessly into your walls for a refined, clutter-free aesthetic.



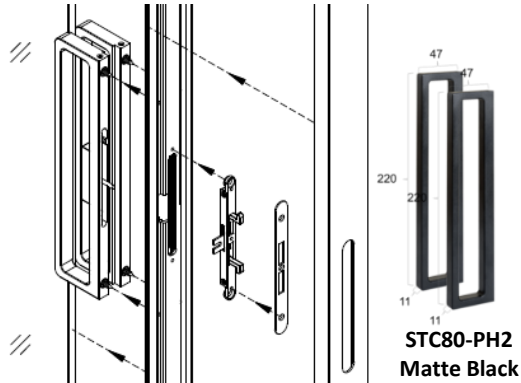
PRODUCT SPECIFICATIONS

Model	Description	
Panel Configurations	1	2
Track Length	2000mm	3000mm
Finishing	Matte Black / White	
Door Width	490mm – 1000mm	
Door Weight	Max. 60kg/panel	
Door Height	Max. 2800mm	
Door Frame Thickness	16mm x 40mm	
Glass Thickness	8mm	
Soft Closing	Two-way soft closing	
Telescopic Synchronize	NIL	Yes

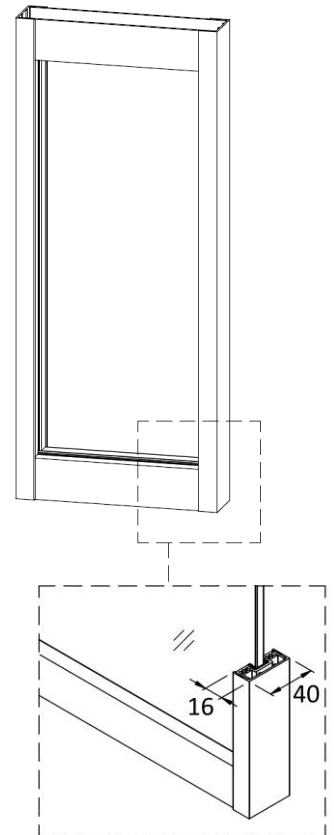
STC82-PD-1S Door Track Sketch



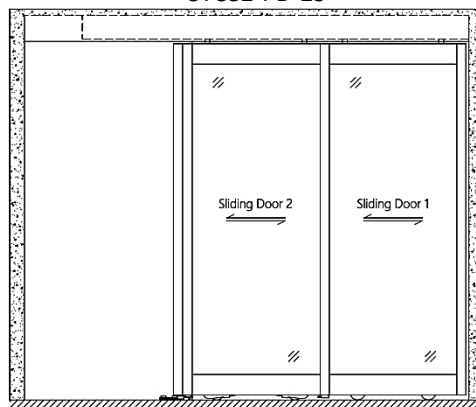
Door Handle Installation Guide

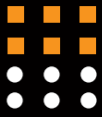


PerMat Ultra Slim Profile
16mm x 40mm



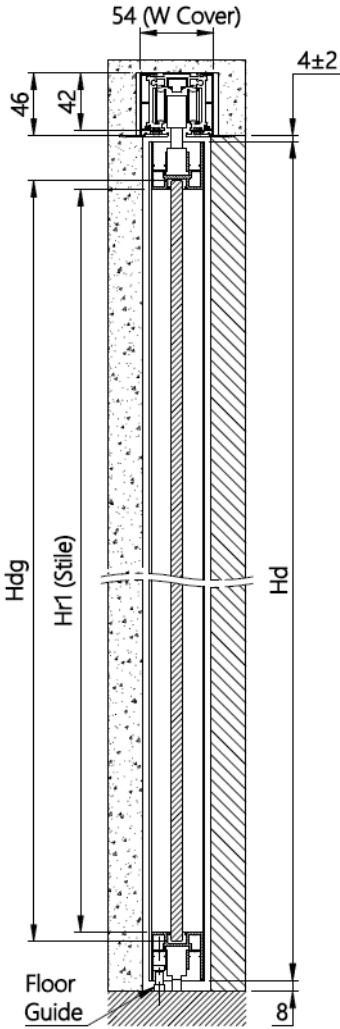
STC82-PD-2S



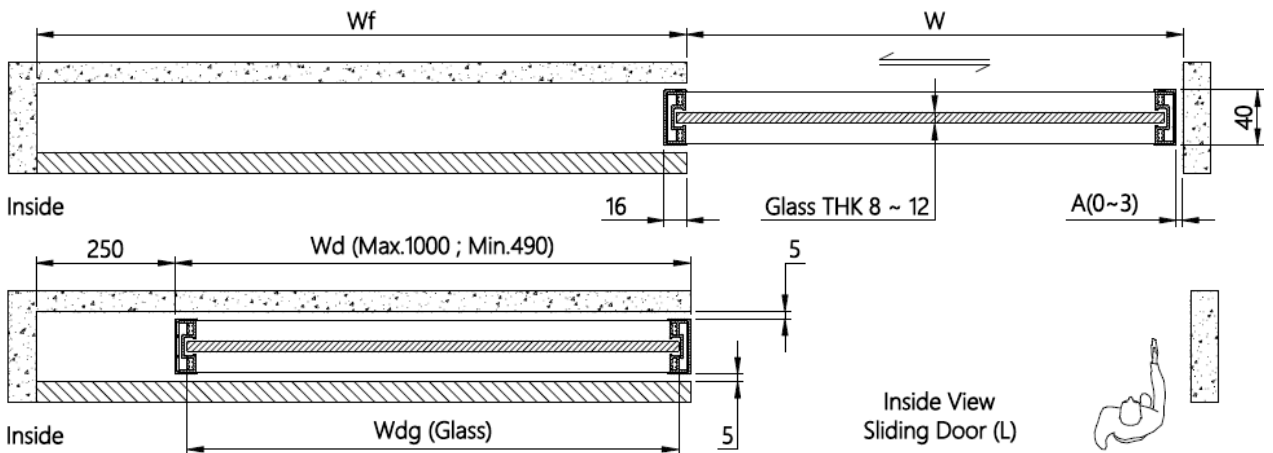
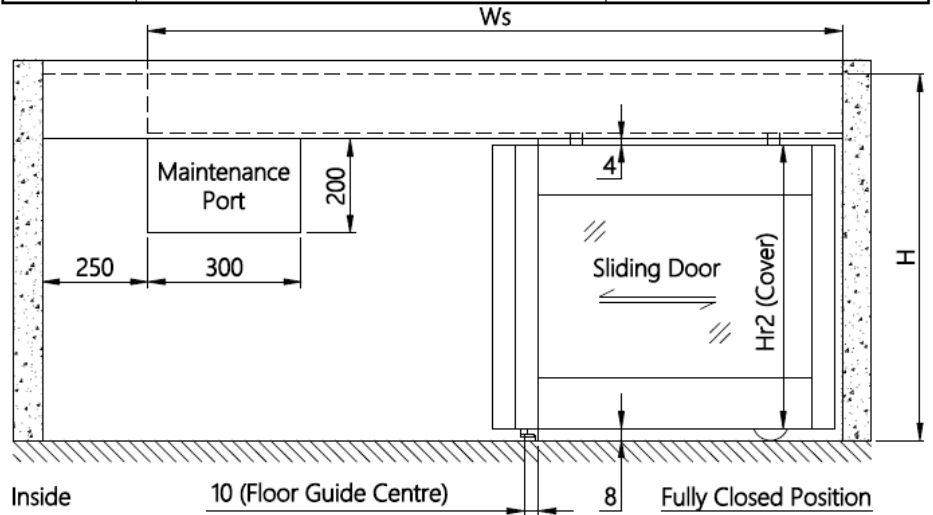


EVALUATION DRAWINGS

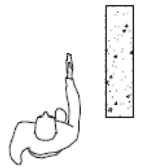
STC82-PD-1S

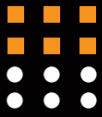


Code	Description	Formula
W	Wall to Wall Opening Width	Opening Width
H	Floor to Ceiling Height	
Wd	Sliding Door Frame Width	$W + 16 - A$
Hd	Sliding Door Frame Height	$H - 58$
Wf	Fixed Panel Width	$Wd + 250$
Wr	Sliding Door Top/Bottom Rail Width	$Wd - 5$
Hr1	Sliding Door Side Stile Height	$Hd - 70$
Hr2	Sliding Door Cover Height	Hd
Wdg	Infilled Glass Panel Width	$Wd - 18$
Hdg	Infilled Glass Panel Height	$Hd - 56$
Ws	Track Length	$W + Wd$



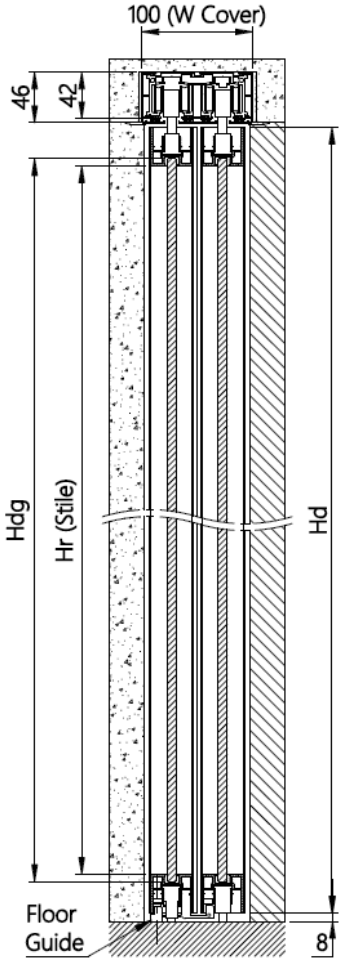
Inside View Sliding Door (L)



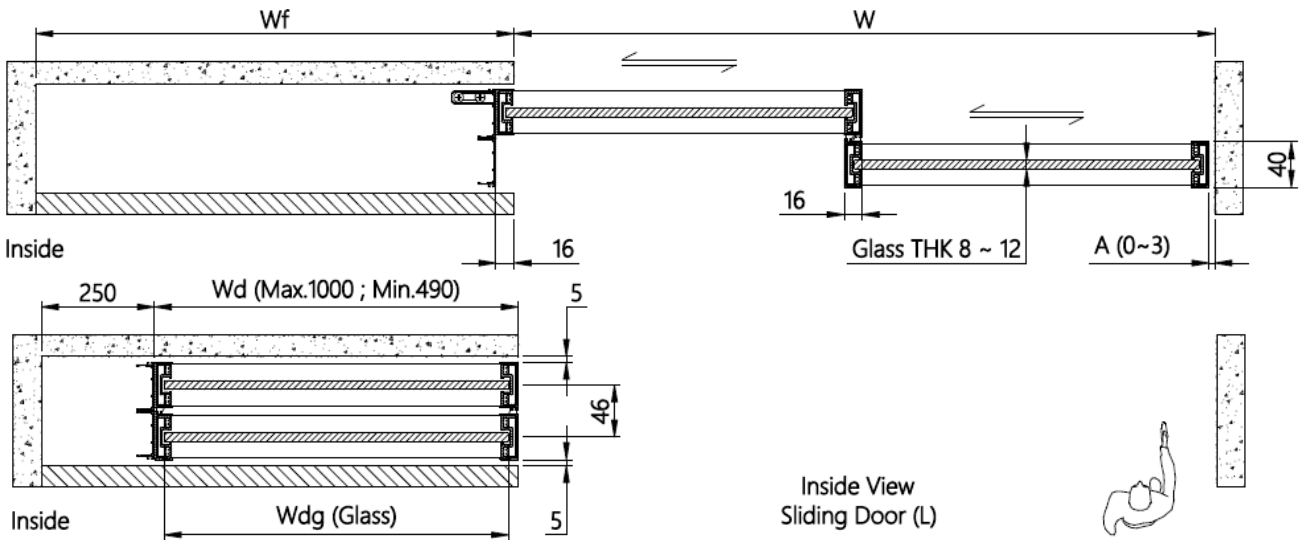
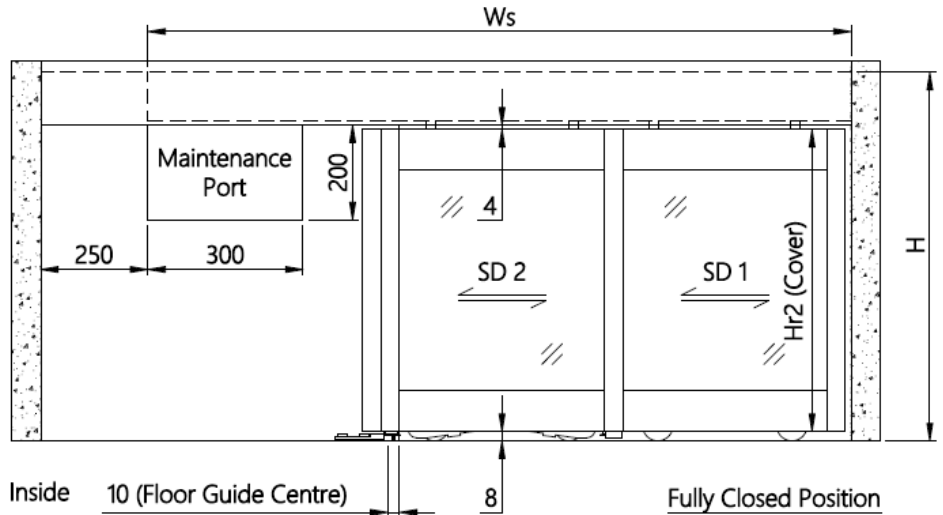


EVALUATION DRAWINGS

STC82-PD-2S



Code	Description	Formula
W	Wall to Wall Opening Width	Opening Width W x H
H	Floor to Ceiling Height	
Wd	Sliding Door Frame Width	$\frac{W+16+16x(N.O.P-1)-A}{\text{No. Of Panels (N.O.P)}}$
Hd	Sliding Door Frame Height	H - 58
Wf	Fixed Panel Width	Wd + 250
Wr	Sliding Door Top/Bottom Rail Width	Wd - 5
Hr1	Sliding Door Side Stile Height	Hd - 70
Hr2	Sliding Door Cover Height	Hd
Wdg	Infilled Glass Panel Width	Wd - 18
Hdg	Infilled Glass Panel Height	Hd - 56
Ws	Track Length	W + Wd



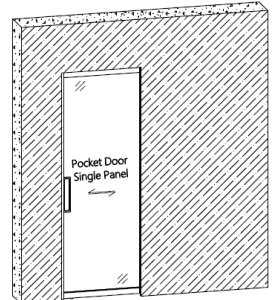


COMPONENT LIST



1. Soft Closing Barrier Carrier, 1nos
2. Ejector Set, 1set
3. Activator, 1nos
4. Carriage Roller, 1nos
5. Cleaning Sponge, 1nos
6. Mounting Box, 2nos
7. Spanner, 1nos
8. Floor Guide, 1set
9. Stabilizing Wheels, 1no
10. Screw Set, 1set

STC82-PD-1S



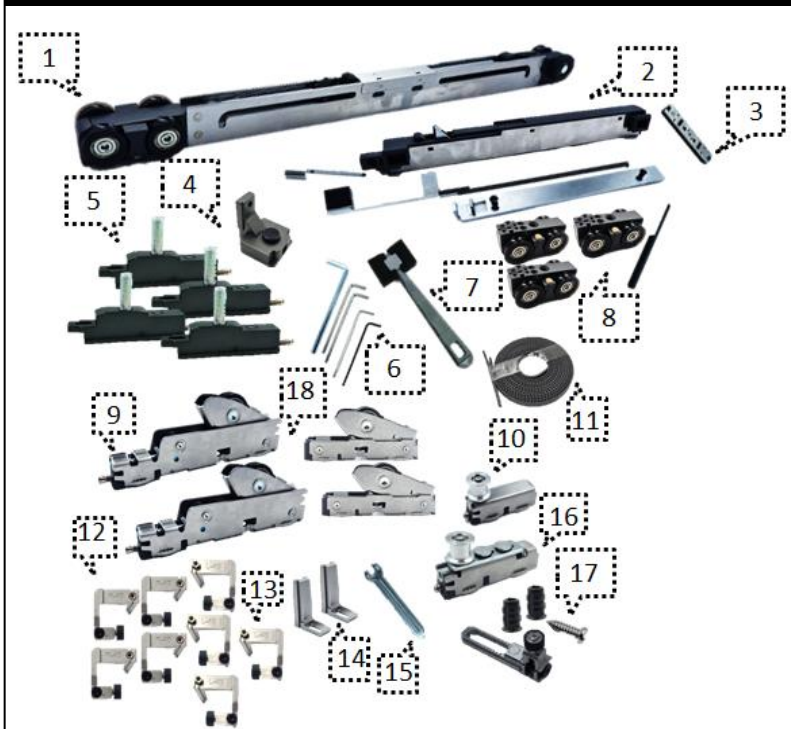
ADDITIONAL COMPONENT LIST

<p>1. STC82-4045 Single Channel Top Track</p>	<p>2. STC82-4510 Top Track Cover</p>	<p>3. STC82-3835 Top & Bottom Door Rail</p>	
<p>4. STC82-1602 Top Track Single Bottom Cover</p>	<p>5. STC82-3812 Stiles Frame</p>	<p>6. STC82-4016 Stiles Frame Cover</p>	
<p>7. STC82-WP48 Rubber Seal Strip</p>	<p>8. STC80-U814 U clip seal 8x13.5mm</p>	<p>9. STC80-U814 Bottom Cover Clip For Top Track STC82-4045/4090</p>	<p>10. STC80-PH2 Pull Handle</p>



COMPONENT LIST

STC82-PD-2S



1. Soft Closing Barrier Carrier, 1nos
2. Ejector Set, 1set
3. Activator, 1nos
4. End Cap, 1nos
5. Mounting Box, 4nos
6. Screw set, 1pk
7. Cleaning Sponge, 1nos
8. Carriage Roller, 3nos
9. Stabilizing Wheels, 4nos
10. Belt Bracket, 1nos
11. Belt, 1roll
12. Belt Clamps (R), 4nos
13. Belt Clamps (L), 4nos
14. Belt Stoppers, 2nos
15. Spanner, 1nos
16. Adjustable Bracket, 1nos
17. Floor Guide, 1set
18. Fixed Stabilizing Wheels, 2nos

ADDITIONAL COMPONENT LIST

<p>1. STC82-4090 Double Channel Top Track</p>	<p>2. STC82-4510 Top Track Cover</p>	<p>3. STC82-3835 Top & Bottom Door Rail</p>	<p>4. STC82-3402 Top Track Double Bottom Cover</p>
<p>5. STC82-1602 Top Track Single Bottom Cover</p>	<p>6. STC82-3812 Stiles Frame</p>	<p>7. STC82-4216 Stiles Frame Cover 42mm x 16mm</p>	<p>8. STC82-4016 Stiles Frame Cover 40mm x 16mm</p>
<p>9. STC82-WP48 Rubber Seal Strip</p>	<p>10. STC80-U814 U clip seal 8x13.5mm</p>	<p>11. STC80-U814 Bottom Cover Clip For Top Track STC82-4045/4090</p>	<p>12. STC82-WP45 Wool Pile Strip</p>
<p>STC82-PD-2S</p>			
<p>13. STC80-PH2 Pull Handle</p>			



Estron Marketing Pte. Ltd.

141 Woodlands Industrial Park E5 E-terrace Singapore 757507

tel. +65 6853 9041 fax. +65 6853 9042

e-mail. sales@estron.com.sg url. www.estron.com.sg



*Product improvement is a continuous process,
please check specifications at point of purchase.*