



**ESTRON**<sup>TM</sup>

ESTRON MARKETING PTE. LTD.



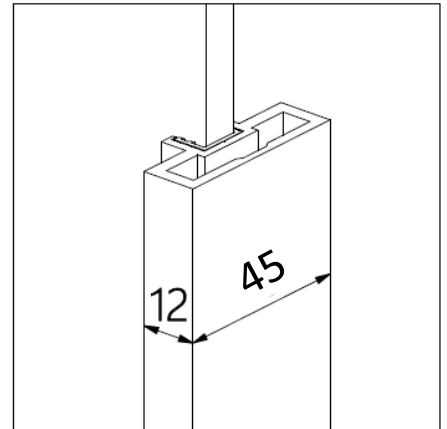
## **USF-35** ULTRA SLIM BI-FOLDING SYSTEM



# USF-35 ULTRA SLIM BI-FOLDING SYSTEM

## FEATURES

Estron's USF-35 boasts an ultra slim profile with a 12mm x 45mm aluminum frame, setting a new standard for elegance and sophistication in bi-folding door systems. Its minimalist design seamlessly integrates into any interior design style, enhancing the visual appeal of your space while providing unobstructed views of the surroundings.



Compared to standard frameless bi-folding doors, USF-35 showcases a unique design featuring minimalistic hinges, guaranteeing a seamless integration of both functionality and style. The hinges of USF 35 are positioned at the top and bottom, resulting in a sleek profile that encompasses the entire frame.

USF-35 is equipped with a latch lock that serves a dual purpose as a handle. Unlike traditional locks that require drilling into the floor, USF-35's latch lock conveniently secures into the top track. This feature is especially beneficial for homeowners who prefer not to make holes in their floors, providing a more convenient solution.





# USF-35 ULTRA SLIM BI-FOLDING SYSTEM

## TECHNICAL SPECIFICATIONS

S/N	Description	Specifications
1	Panel Configuration	Up to 6 Panels
2	Finishing	Matte Black
3	Panel Dimensions	600mm (w) x 2400mm (h)
4	Panel Weight	35 KG per Panel
5	Door Configuration	8mm glass (framed)
6	Frame Dimensions	Ultra Slim 12mm (frontal view) x 40mm (profile view)
7	Adjustment Modes	Top and bottom pivot

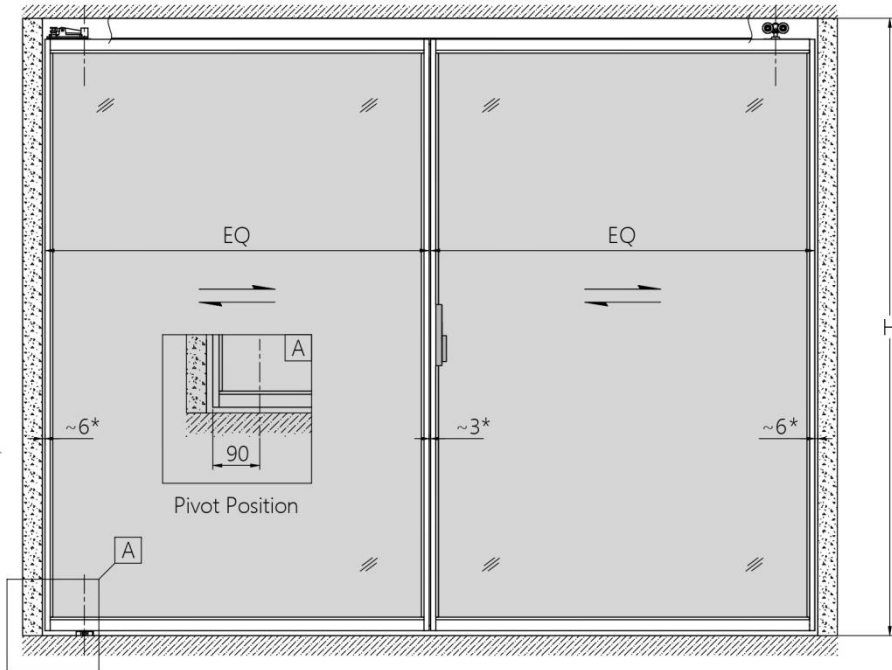
## COMPONENT LIST

<p><b>USF35-4545</b> Top Track 45x45mm, BK (6m/pc)</p>	<p><b>USF35-4512</b> Bi-Fold Stiles Frame 45x12mm, BK (5.6m/pc)</p>	<p><b>USF35-4531</b> Top &amp; Bottom Door Rail 45x31mm BK (6m/pc)</p>
<p><b>USF35-10</b> Bi-Fold Top &amp; Bottom Pivot Set BK</p>	<p><b>USF35-40</b> Folding Door Latch Lock BK</p>	<p><b>USF35-20</b> Bi-Fold Hinge BK (L/R)</p>
<p><b>USF35-10</b> Bi-Fold Roller for USF35</p>	<p><b>USF35-41-ROD</b> Threaded Rod (2m/pc)</p>	<p><b>USF35-MH</b> Magnetic Holder for USF35</p>
<p><b>USF35-4545-LSS60</b> Sealing Strip for Track USF35-4545 (6m/pc)</p>	<p><b>USF35-4518-LSS35</b> Rubber Bumper Strip for USF35-4518 3.5mm 265m/roll</p>	
<p><b>USF35-EC</b> End cap for Stiles Frame USF35-4518 BK</p>	<p><b>USF35-4518-LSS48</b> Hard Clip Seal for Stile Frame USF35-4518 (4.8/pc)</p>	



# USF-35 ULTRA SLIM BI-FOLDING SYSTEM

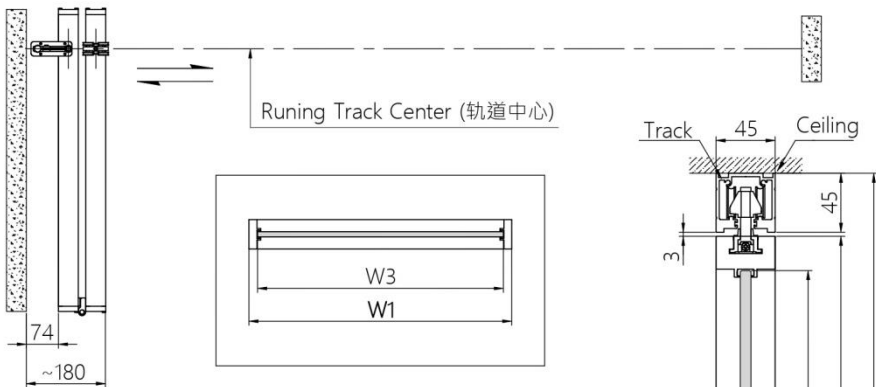
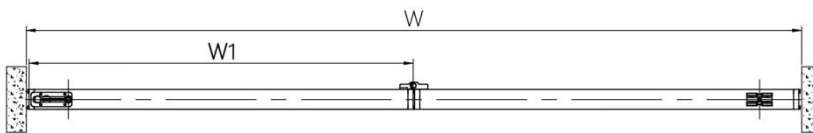
## EVEN NUMBER PANELS CONFIGURATION (2, 4 OR 6 PANELS)



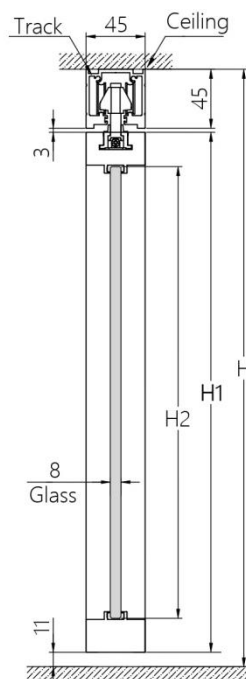
Fully Closed Position

OUTSIDE

\* Concealed By Gasket Strip



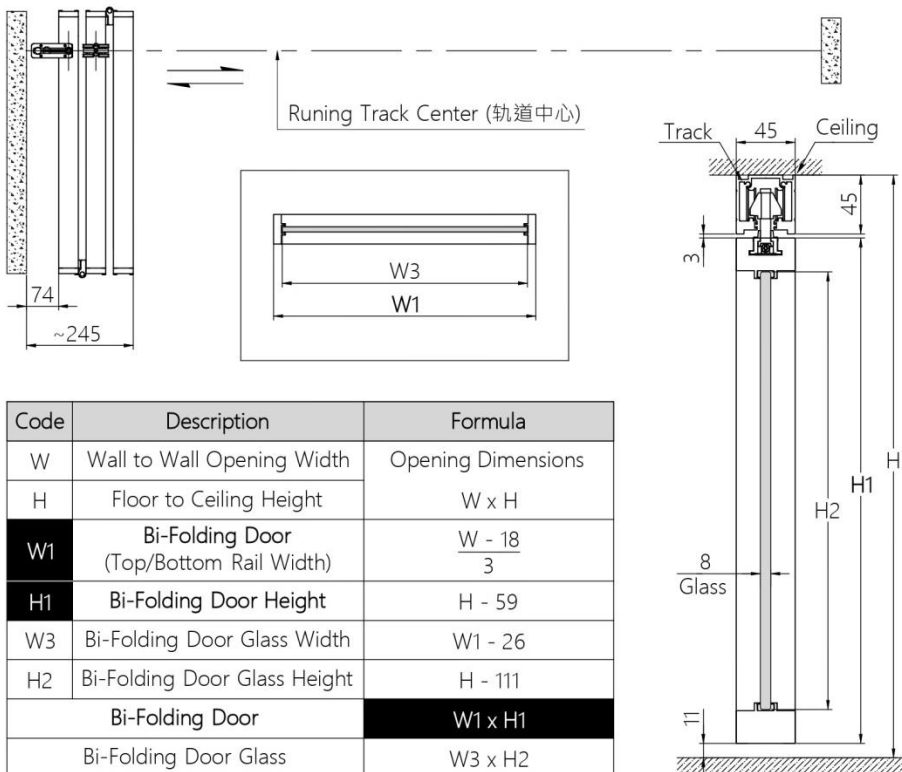
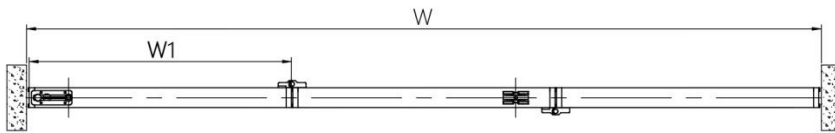
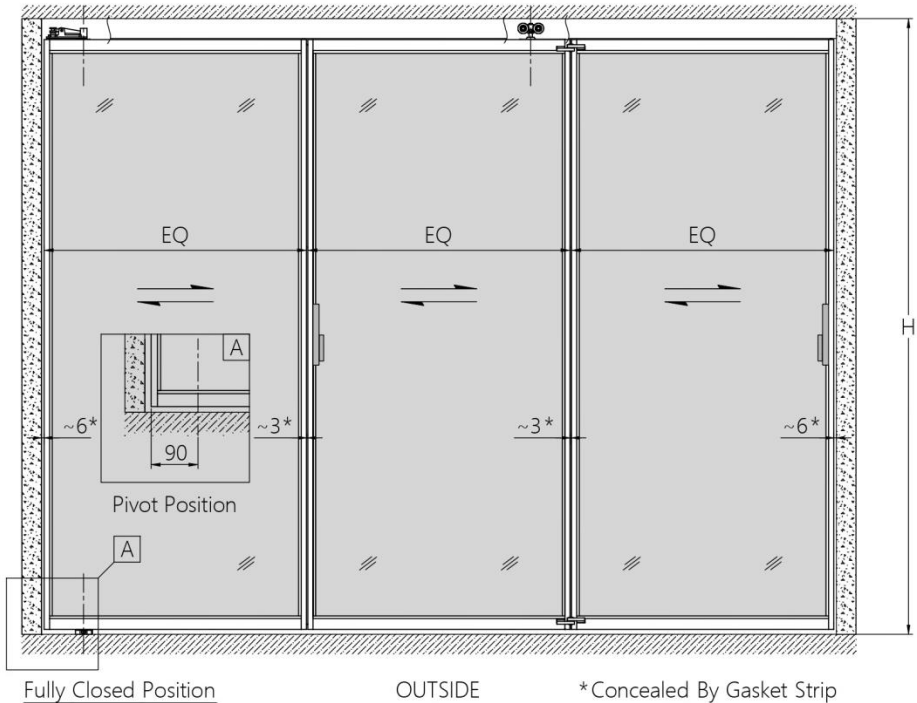
Code	Description	Formula
W	Wall to Wall Opening Width	Opening Dimensions
H	Floor to Ceiling Height	
W1	Bi-Folding Door (Top/Bottom Rail Width)	$\frac{W - 15}{2}$
H1	Bi-Folding Door Height	H - 59
W3	Bi-Folding Door Glass Width	W1 - 26
H2	Bi-Folding Door Glass Height	H - 111
Bi-Folding Door		W1 x H1
Bi-Folding Door Glass		W3 x H2





# USF-35 ULTRA SLIM BI-FOLDING SYSTEM

## ODD NUMBER PANELS CONFIGURATION (3 OR 5 PANELS)



Code	Description	Formula
W	Wall to Wall Opening Width	Opening Dimensions
H	Floor to Ceiling Height	
W1	Bi-Folding Door (Top/Bottom Rail Width)	$\frac{W - 18}{3}$
H1	Bi-Folding Door Height	$H - 59$
W3	Bi-Folding Door Glass Width	$W1 - 26$
H2	Bi-Folding Door Glass Height	$H - 111$
Bi-Folding Door		<b><math>W1 \times H1</math></b>
Bi-Folding Door Glass		$W3 \times H2$



**Estron Marketing Pte. Ltd.**

141 Woodlands Industrial Park E5 E-terrace Singapore 757507

tel. +65 6853 9041 fax. +65 6853 9042

e-mail. sales@estron.com.sg url. www.estron.com.sg



*Product improvement is a continuous process,  
please check specifications at point of purchase.*