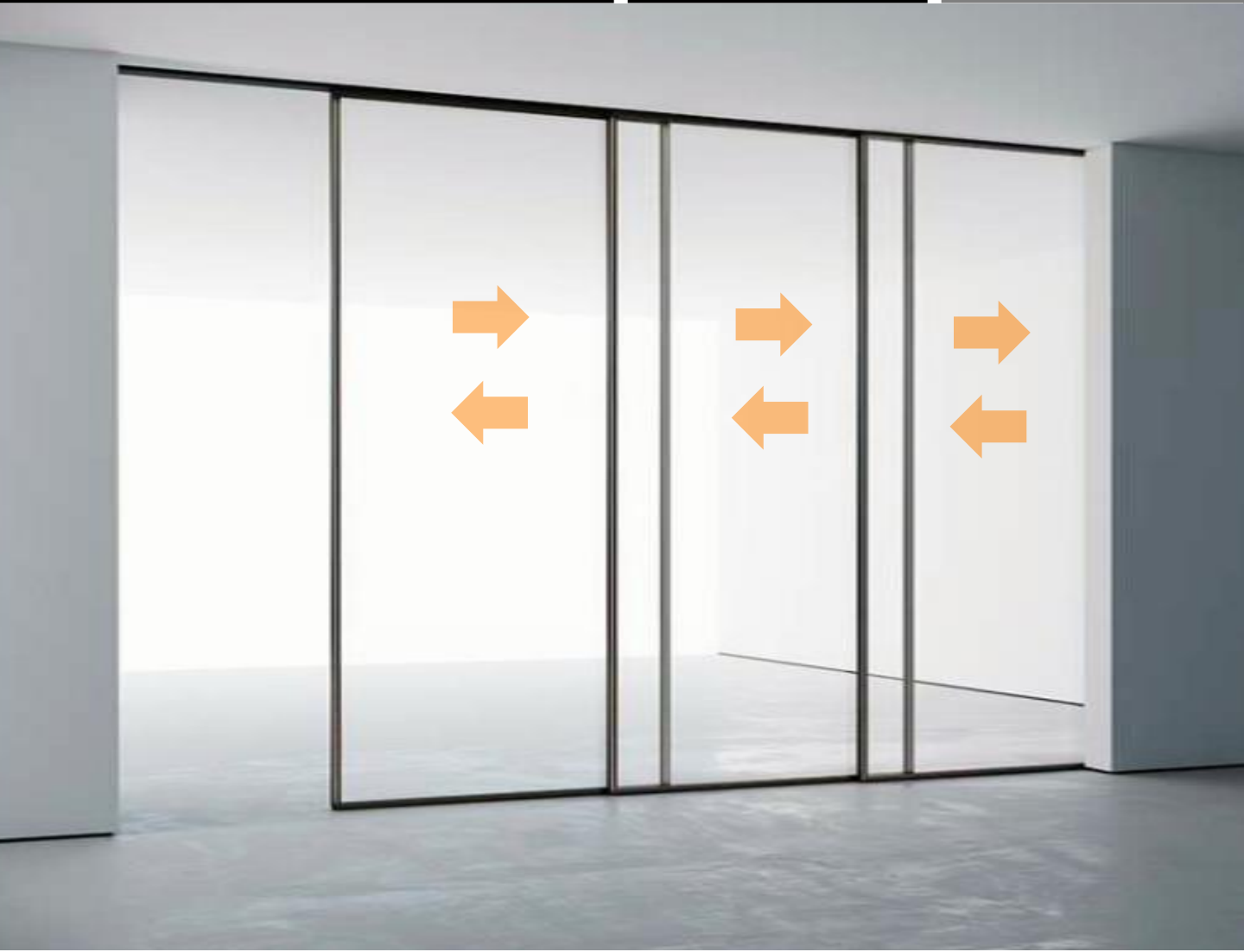


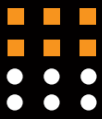


ESTRONTM

ESTRON MARKETING PTE. LTD.



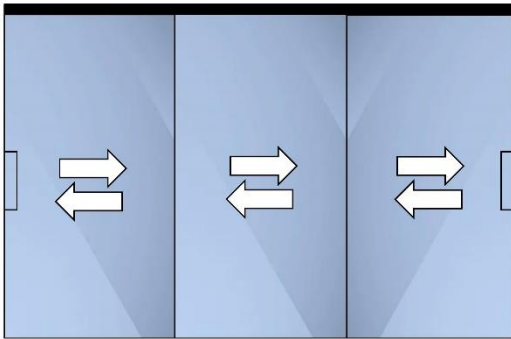
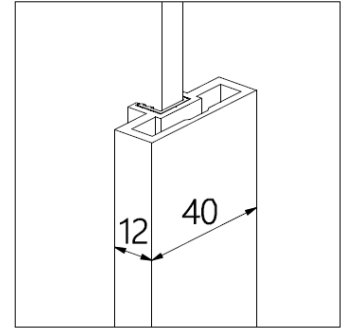
BST80 BI-DIRECTIONAL SYNCHRONIZE TELESCOPIC SLIDING SYSTEM



BST80 BI-DIRECTIONAL SYNCHRONIZE TELESCOPIC SLIDING

FEATURES

Ideal for connecting living rooms with study rooms or kitchens. Creating a harmonious blend of indoor spaces. Offering a serene atmosphere with the assurance of a gentle, noiseless closure. Ultra slim aluminium frame in matte black and no bottom track incorporates your interior spaces in a sleek manner.



Estron's BST80 bi-directional synchronize telescopic sliding glass door system enables synchronized movement of multiple panels and enables easy access from both sides of doorway.

A harmonious and effortless opening or closing experience, enhancing user convenience. With soft closing mechanisms, the doors glide effortlessly to a close, eliminating abrupt slamming noises.

TECHNICAL SPECIFICATIONS

S/N	Description	Specifications
1	Panel Configuration	Up to 5 Panels
2	Finishing	Matte Black
3	Door Width	585 - 1200mm
4	Max. Panel Weight	80 KG
5	Door Configuration	8mm glass (Framed)
6	Frame Dimensions	Ultra Slim 12mm (Frontal view) x 40mm (Profile view)
7	Adjustment Modes	Bi-directional Push-Pull Sliding
8	Soft Closing	2 Way Soft Closing



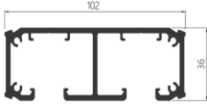
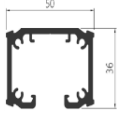
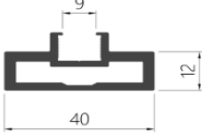
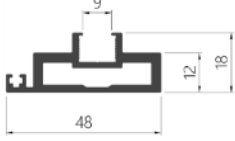
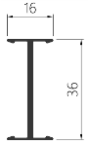
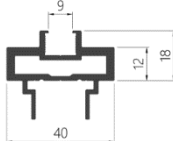

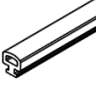
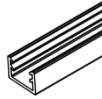


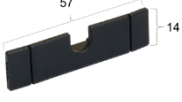
BST80 BI-DIRECTIONAL SYNCHRONIZE TELESCOPIC SLIDING

COMPONENT LISTS





BST80-3S Includes:

1. Soft Closing Barrier Carrier, 1nos
2. Latch Activator, 2nos
3. Carriage Roller, 5nos
4. Bracket, 6nos
5. Tooth Belt 2.5m, 1nos
6. Retaining Bracket, 6nos
7. Floor Roller Guide, 4nos
8. Tooth Belt Side Clamp, 2nos

 <p>STC80-36102 Double Channel Top Track, BK</p>	 <p>STC80-3650 Single Channel Top Track, BK</p>	 <p>STC80-4018 Stiles Frame, BK</p>
 <p>STC80-4818 Stiles Frame, BK</p>	 <p>STC80-3616 Top Track Side Connector, BK</p>	 <p>STC80-4032 Top and Bottom Door Rail</p>
 <p>STC80-AC78 Aluminium Cover for Top Track, BK</p>	 <p>STC80-WP060 Sealing Strip for STC80-4818</p>	 <p>STC80-U825 8mm White "U" Clip Seal</p>
 <p>STC80-MB Alu. Frame for Corner Bracket, N/A</p>	 <p>STC80-EC2 Top Rail End Cap, BK</p>	 <p>STC80-EC3 Bottom Rail End Cap, BK</p>

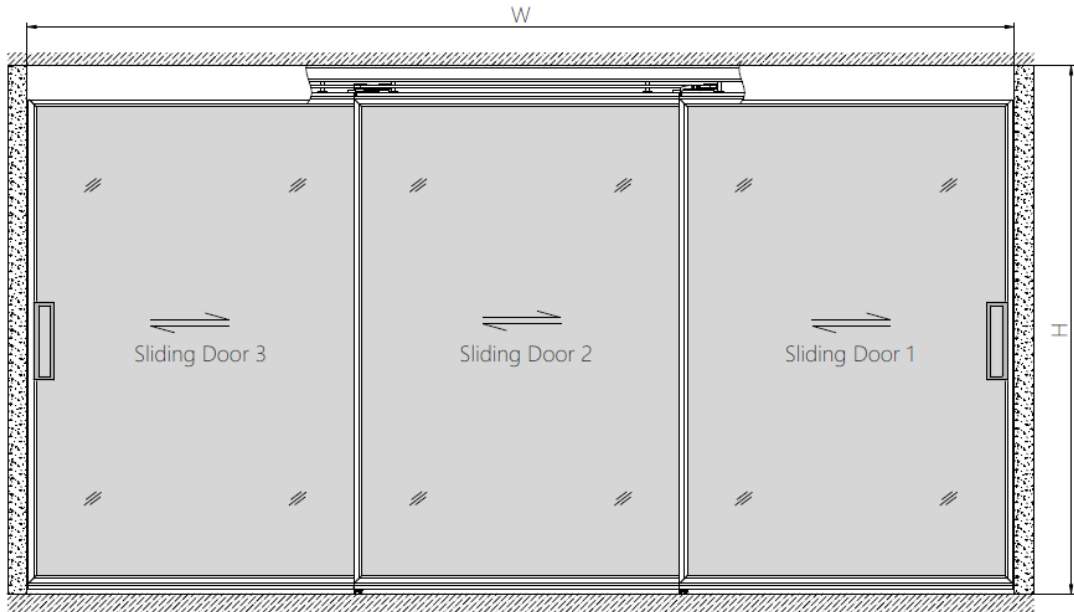
ADDITIONAL COMPONENTS

 <p>STC80-PH1 Flush Handle, BK, 220mm(L)</p>	 <p>STC80-PH2 Pull Handle, BK, 220mm(L)</p>	 <p>STC80-PH-2L Pull Handle w/ Lock & Strike Plate, BK, 220mm(L)</p>
--	---	--

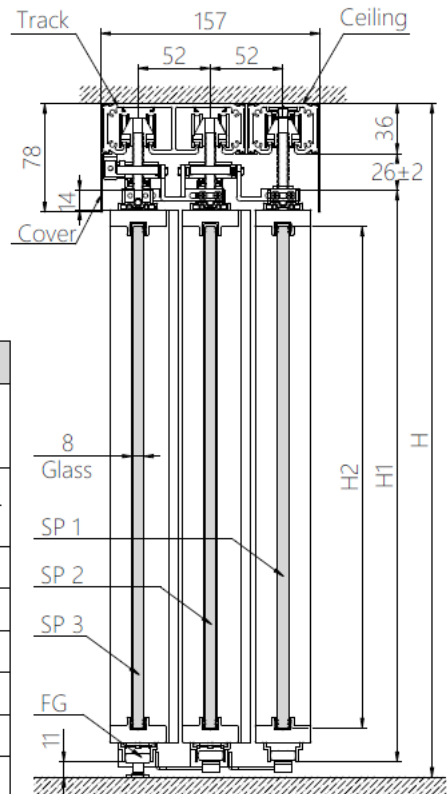
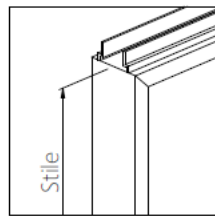
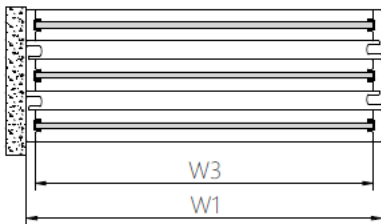
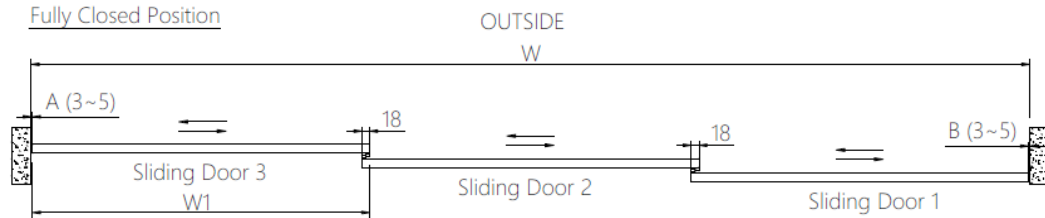


BST80 BI-DIRECTIONAL SYNCHRONIZE TELESCOPIC SLIDING

TECHNICAL DRAWING FOR 3 SLIDING PANEL



Fully Closed Position



Code	Description	Formula
W	Wall to Wall Opening Width	Opening Dimensions W x H
H	Floor to Ceiling Height	
W1	Sliding Door Top/Bottom Rail Width	$\frac{W-A(3\sim 5^*)+18x(\text{N.O.P})-B(3\sim 5^*)}{\text{No. Of Panels (N.O.P)}}$
W3	Sliding Door Glass Width	$W1 - 22$
H1	Sliding Door Height	$H - 73$
H2	Sliding Door Glass Height	$H - 123$
	Sliding Door	$W1 \times H1$
	Sliding Door Glass	$W3 \times H2$
	Stile Height	$H1 - 28$



Estron Marketing Pte. Ltd.

141 Woodlands Industrial Park E5 E-terrace Singapore 757507

tel. +65 6853 9041 fax. +65 6853 9042

e-mail. sales@estron.com.sg url. www.estron.com.sg



*Product improvement is a continuous process,
please check specifications at point of purchase.*