



# MARVAL DOOR

Invisible Sliding System MD80





## *“Experience the Wonder of Seamless Space with Marval's Invisible Track Sliding Door”*

### **INVISIBLE TRACK**

The sliding door features an innovative track and mechanism that are cleverly hidden within the door's structure.

This allows for the moving components to remain completely out of sight while the door is in operation, creating a striking illusion that the door is floating in mid-air.



### **APPLICATIONS**

By utilizing this cutting-edge sliding system, traditional residential and commercial sliding doors can be transformed into futuristic and sophisticated entrances.

Furthermore, this system provides the option to include either glass or wooden doors, resulting in a distinctive and contemporary look. This creates a sleek and minimalist design that is both visually appealing and practical.



*“Elevate your Space with our Sliding Doors  
Soft-Closing, Safe, Adjustable, and  
Easy to Maintain.”*



## **SOFT-CLOSING**

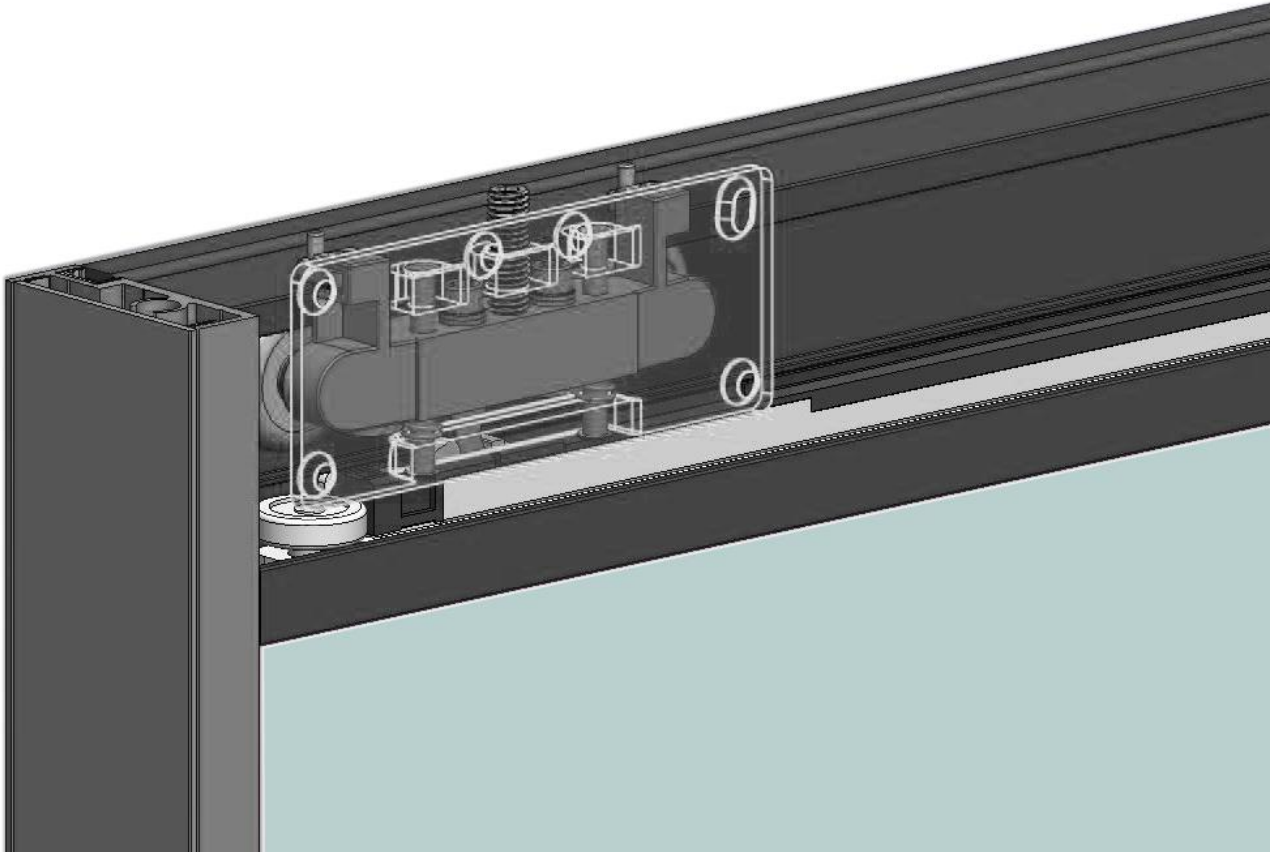
With its integrated soft-closing mechanism, this sliding door can be shut quietly and smoothly, without any harsh banging noises. This means that the door system experiences less wear and tear compared to conventional sliding doors. The sliding door's gentle braking action during hard closing minimizes the risk of pinched fingers or hands.

## **SAFETY**

Equipped with an anti-drop mechanism, this sliding door is designed to latch securely and slide without any risk of it coming off its track, ensuring both safety and security.

## **ADJUSTABLE & EASY MAINTENANCE**

The door mechanism is highly adjustable and can be modified in terms of height as well as left-to-right alignment. This level of adjustability allows for the system to cater to uneven walls, ensuring that the door operates smoothly. The soft closing dampers of this sliding door can be easily replaced after wear and tear, making maintenance and repairs straightforward and hassle-free.










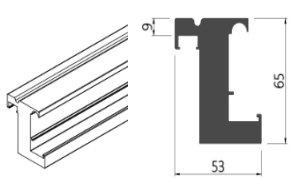
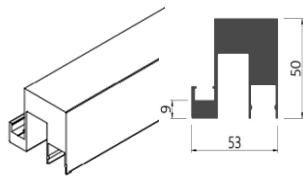
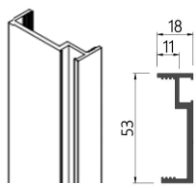
## TECHNICAL SPECIFICATIONS

S/N	Description	Specifications	
		MD80-G (GLASS)	MD80-W (WOODEN)
1	Product Application	Suitable for 8mm thk. Glass	Laminated / Wooden Door
2	Finishing	Matt Black	Natural Anodized
4	Door Width (mm)	800 - 1300	800 - 1200
3	Max. Door Weight (Kg)	80	
5	Soft-Closing	2-Way	
6	Door Configuration	Single / Double Leaf	
7	Wall Overlapping	160mm	
8	Adjustment Modes	Height leveling & Uneven Walls	
9	Bottom Track	Not Required	











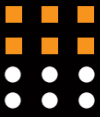
## COMPONENT LIST

**MD80-G** system for glass doors includes 11 components.

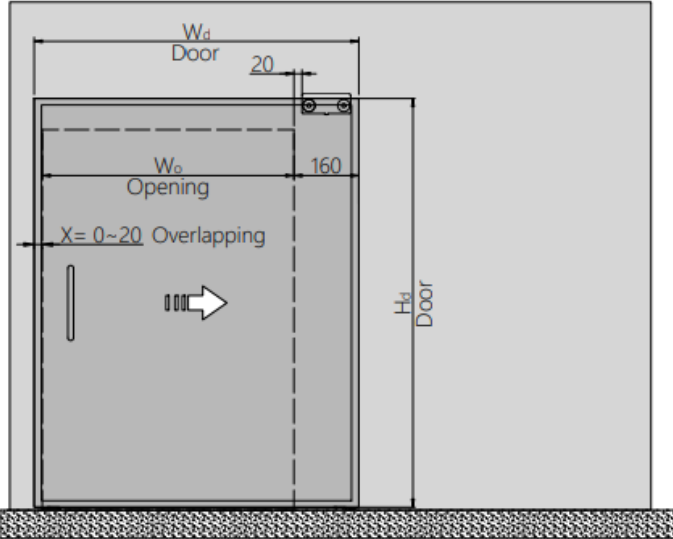
 <p>1. MD80-WG Wall Guide Roller, 1 pc</p>	 <p>2. MD80-DU Soft Close Damper Unit, 1 pair</p>	 <p>3. MD80-BR Bottom Roller, 1 pair</p>	
 <p>4. MD80-GFG Floor Guide, 1 pc</p>	 <p>5. MD80-ST Floor Stopper, 1 pc</p>	 <p>6. SDH-1815 Self-Adhesive Handle, 1 pair</p>	 <p>7. MD80-GS Glass Strip, 2.9m, 3pcs</p>
 <p>8. MD80-GTR Top Rail BK, 1.3m, 1pc (Matt Black)</p>	 <p>9. MD80-GBR Bottom Rail BK, 1.3m, 1pc (Matt Black)</p>	 <p>10. MD80-GSR Stile Rail, 2.9m, 2 pcs (Matt Black)</p>	 <p>11. MD80-GAC Stile Rail Cover BK, 2.9m, 2 pcs (Matt Black)</p>

**MD80-W** system for wooden doors includes 8 components.

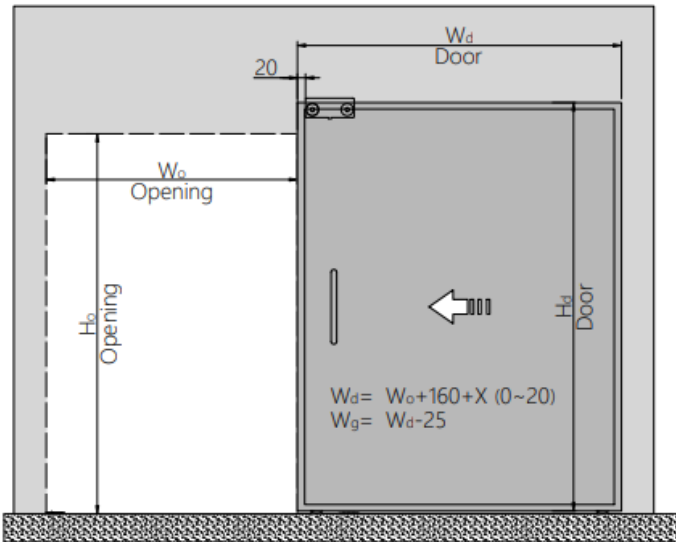
 <p>1. MD80-WG Wall Guide Roller, 1 pc</p>	 <p>2. MD80-DU Soft Close Damper Unit, 1 pair</p>	 <p>3. MD80-BR Bottom Roller, 1 pair</p>	 <p>4. MD80-EC End Cap, 1 pair</p>
 <p>5. MD80-WFG Floor Guide, 1 pc</p>	 <p>6. MD80-WTR Alum. Top Rail N/A 1.2m, 1pc</p>	 <p>7. MD80-WUC Alum. Btm. U-Channel N/A 1.0m, 1pc</p>	 <p>8. MD80-ST Floor Stopper, 1 pc</p>



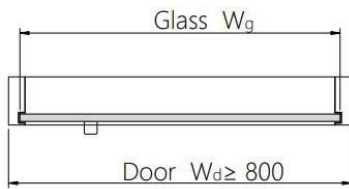
## GLASS DOOR: MD80-G TECHNICAL DRAWINGS



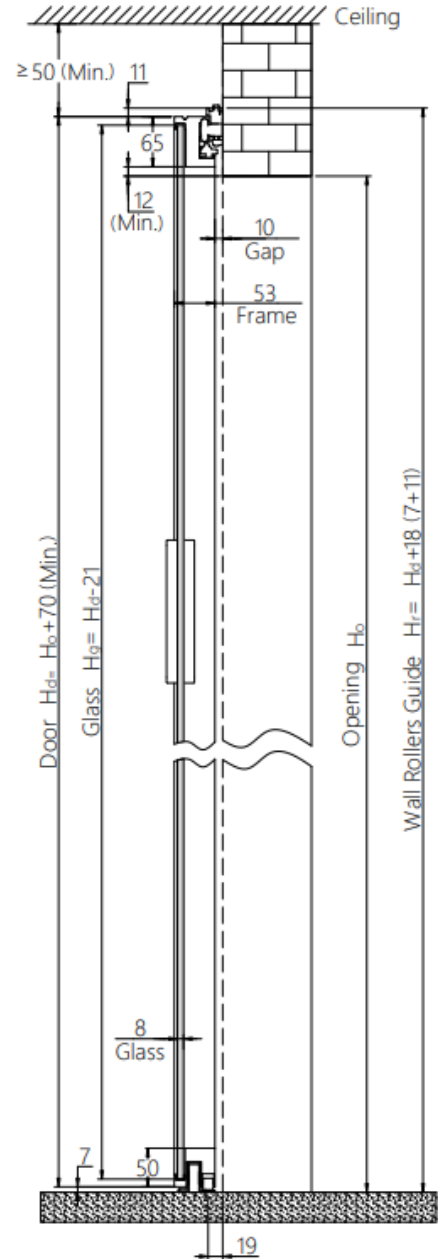
1.) The final size of the door's closure is dependent on the size of the entrance opening, taking into consideration the amount of overlap with the surrounding wall and the necessary gap between the ceiling and the top of the door.



2.) A technical drawing of an open door



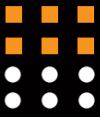
**Door Width:**  
800 – 1300mm



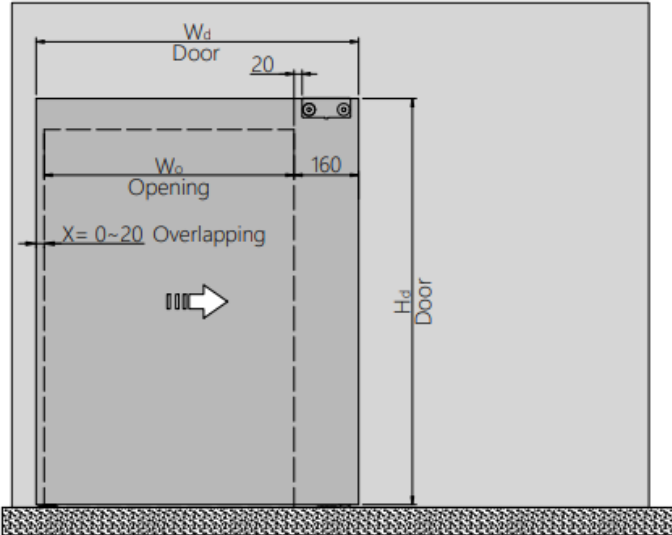
**Sectional Details**

### Important Installation Notes:

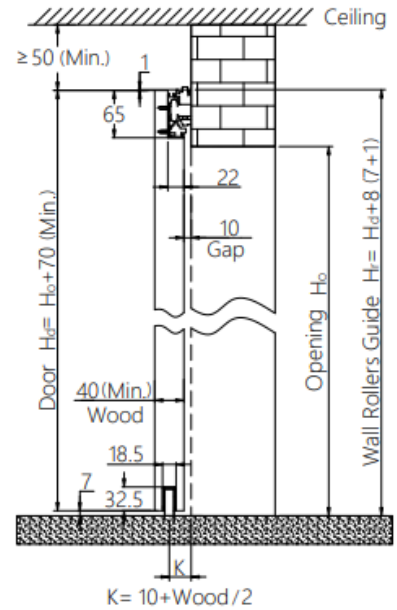
- The surface of the floor should be even, with a maximum deviation of 3mm
- We recommend using colored or tinted glass



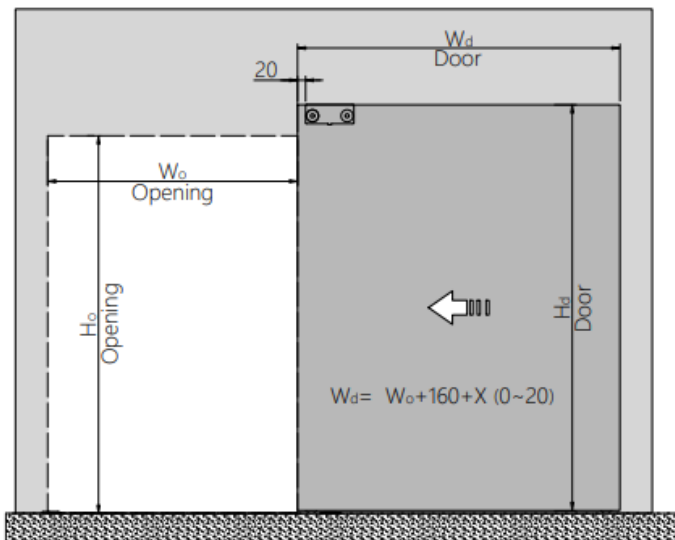
## WOODEN DOOR: MD80-W TECHNICAL DRAWINGS



1.) The final size of the door's closure is dependent on the size of the entrance opening, taking into consideration the amount of overlap with the surrounding wall and the necessary gap between the ceiling and the top of the door.

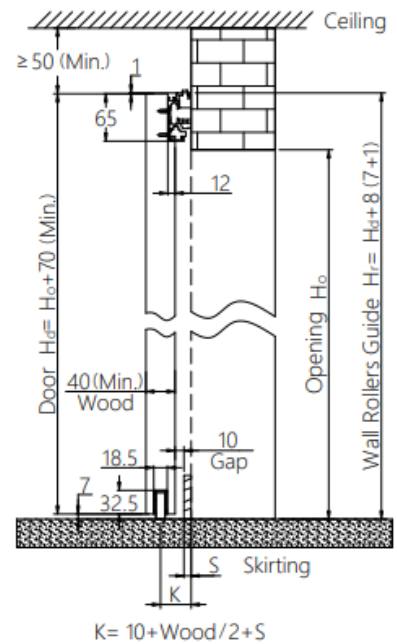


**Sectional Details**



2.) A technical drawing of an open door

**Door Width:**  
800 – 1300mm



The presence of skirting on a wall can alter the way a sectional drawing is depicted.

**Important Installation Notes:**

- The surface of the floor should be even, with a maximum deviation of 3mm



**Estron Marketing Pte. Ltd.**

141 Woodlands Industrial Park E5 E-terrace Singapore 757507

tel. +65 6853 9041 fax. +65 6853 9042

e-mail. sales@estron.com.sg url. www.estron.com.sg



*Product improvement is a continuous process,  
please check specifications at point of purchase.*