



ESTRONTM

ESTRON MARKETING PTE. LTD.



HP-870 HYDRAULIC PATCH CLOSER

Quality Architectural Hardware Specialist



HP-870 HYDRAULIC PATCH CLOSER

CREATIVELY DESIGNED, INNOVATIVE, QUALITY ASSURED

ESTRON HP-870 Hydraulic Patch Closer is a double action, creatively designed concealed floor spring. The innovative base of the patch closer allows client to save on cost of installation as no hacking is required. It is designed specifically for interior use only.

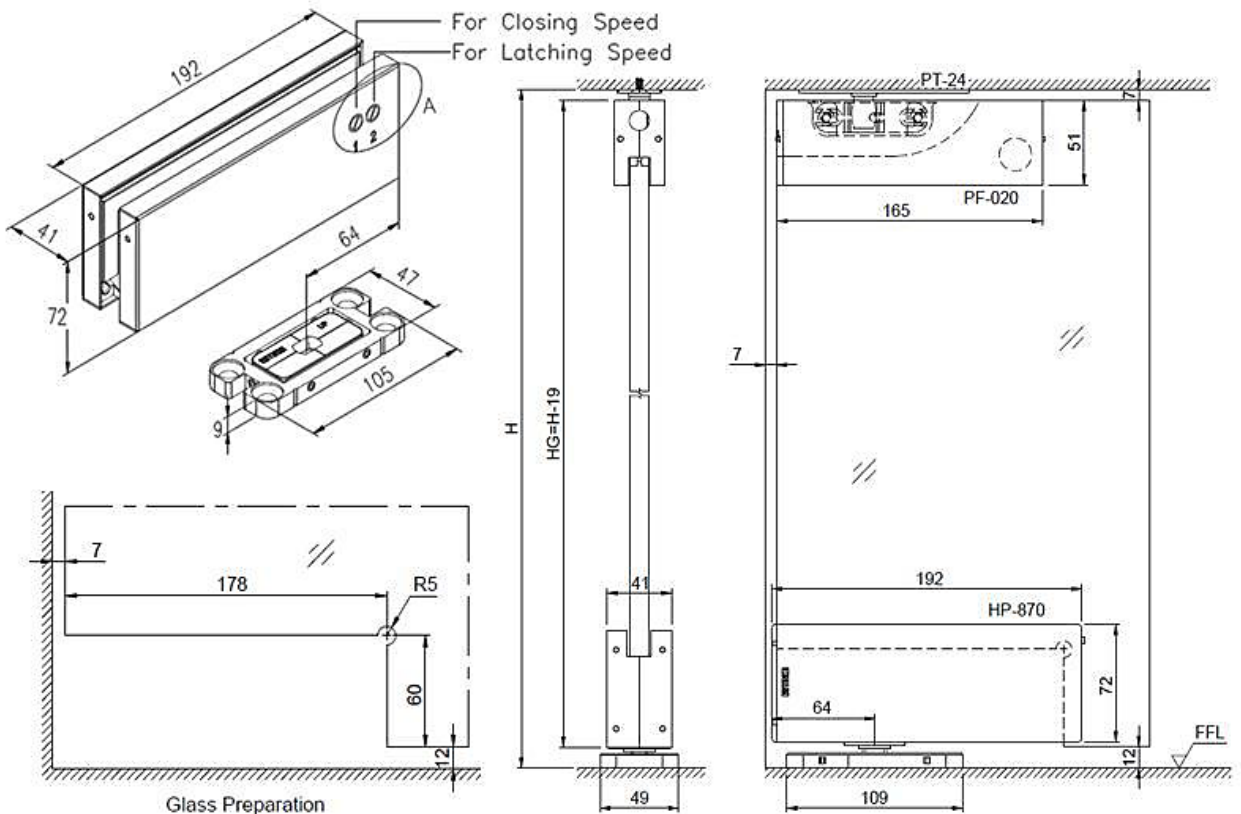
FEATURES

- Support door weight up to 80kg, door width 950mm (EN2)
- Use for 8 – 12mm thickness glass door
- Finish: Polish Stainless Steel (PSS) / Satin Stainless Steel (SSS)
- Floor mounted for easy installation (No Hacking Required)
- Suitable for left, right opening, single and double door opening
- Do Not Comply With EM LOCK
- Finishing: Polish (PSS) / Satin (SSS) / Black (BK)



HP-870 (PSS) illustration

ELEVATION DRAWING:





Estron Marketing Pte. Ltd.

141 Woodlands Industrial Park E5 E-terrace Singapore 757507

tel. +65 6853 9041 fax. +65 6853 9042

e-mail. sales@estron.com.sg url. www.estron.com.sg



*Product improvement is a continuous process,
please check specifications at point of purchase.*