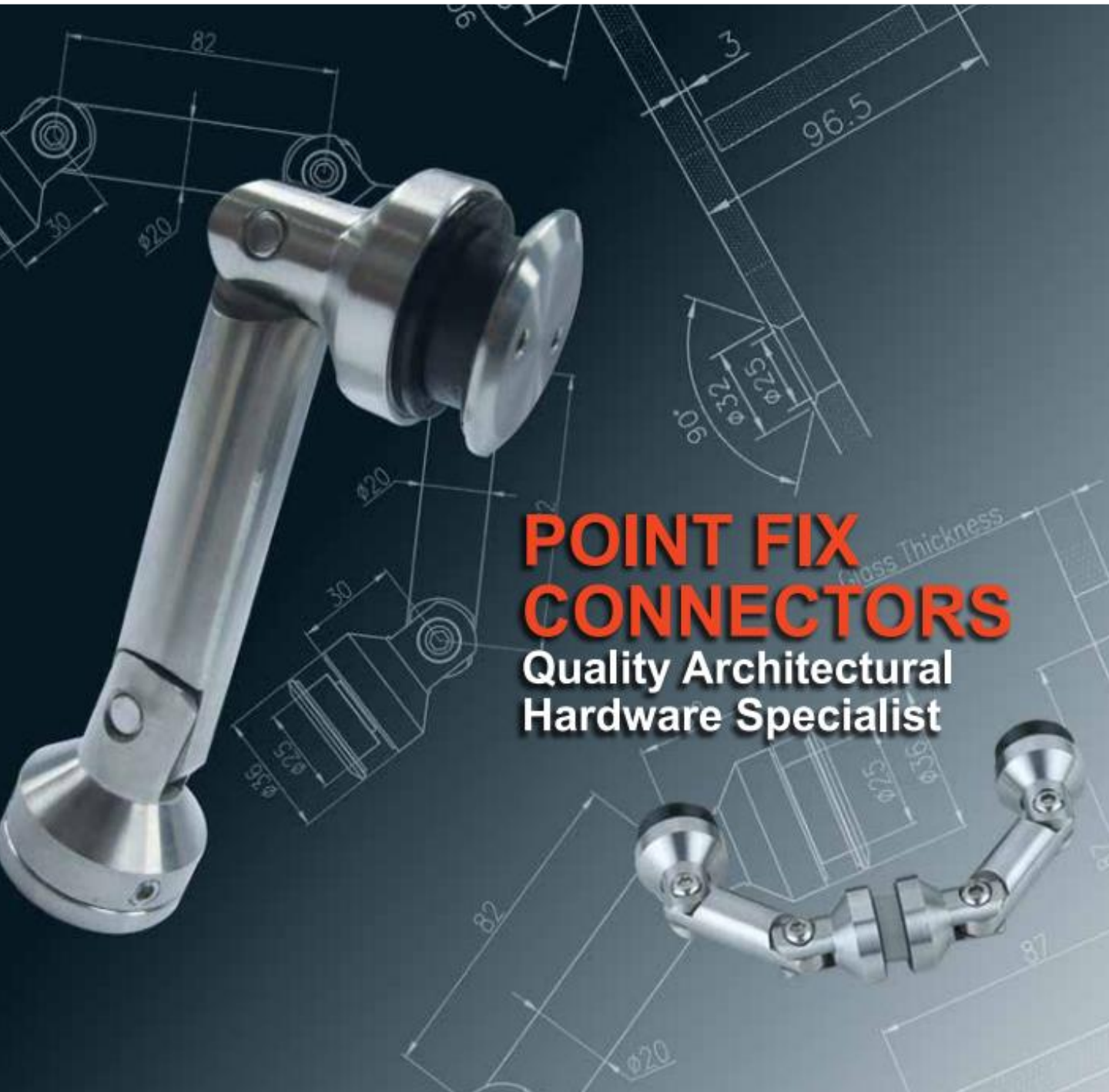




ESTRON MARKETING PTE. LTD.



# POINT FIX CONNECTORS

Quality Architectural  
Hardware Specialist



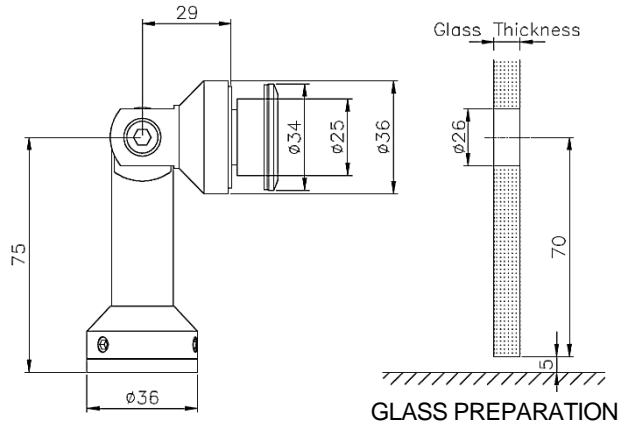
# POINT FIX CONNECTORS

## FEATURES

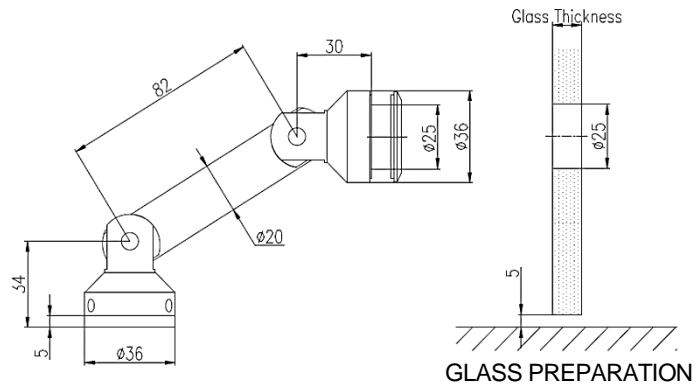
- Point fix connector can be fixed with flathead point studs or countersunk point studs
- Material: SS304
- Finish: SSS



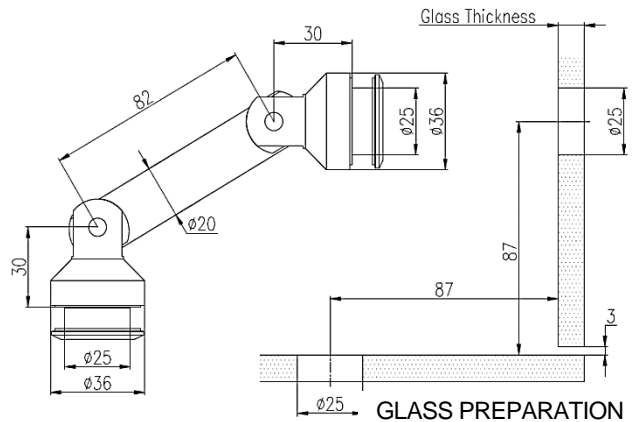
**PFC-1/75.F (Flat Head)**

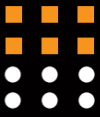


**PFC-2/82.F (Flat Head)**



**PFC-3/82.F (Flat Head)**

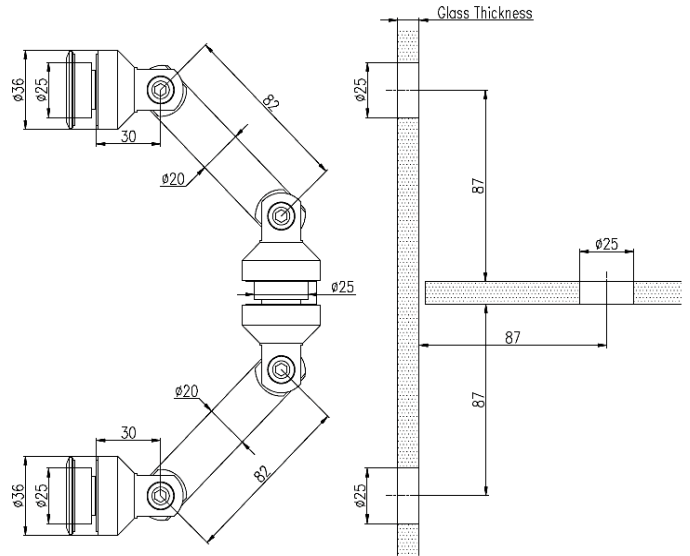




# POINT FIX CONNECTORS



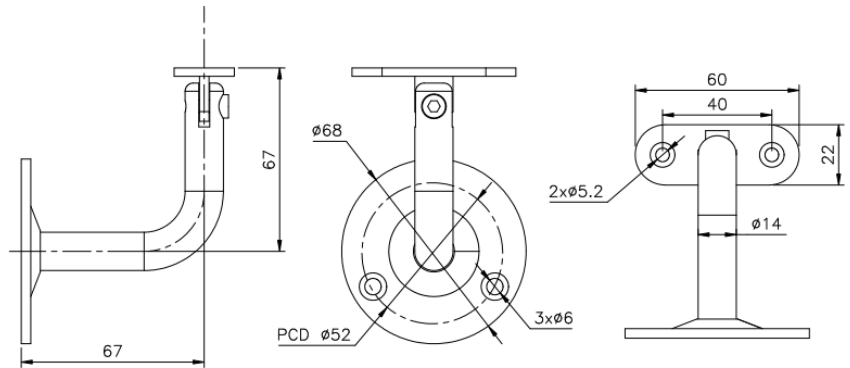
**PFC-4/82 (Flat Head)**



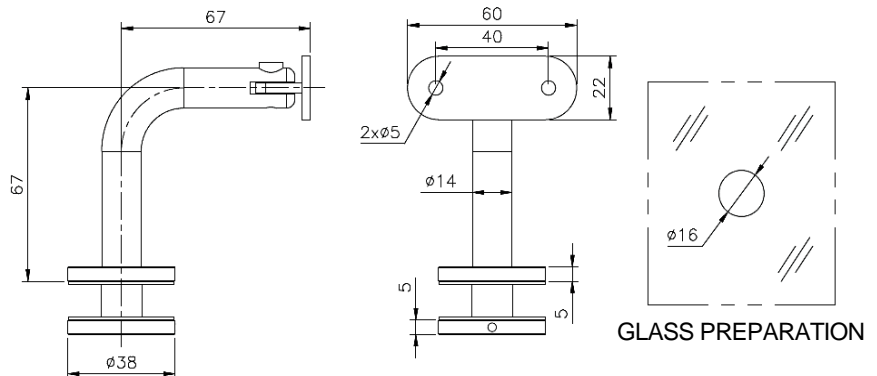
GLASS PREPARATION



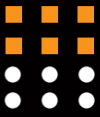
**PFC-5-F**  
Attach to wall or square tube  
(Curve plate available  
for circular tube too)



**PFC-6-F**  
Attach to wall or square tube  
(Curve plate available  
for circular tube too)



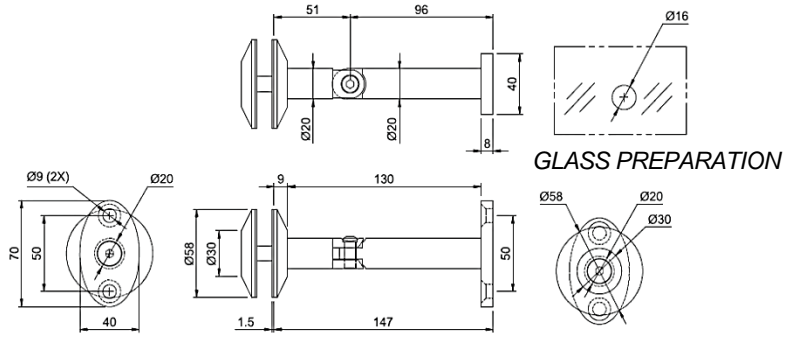
GLASS PREPARATION



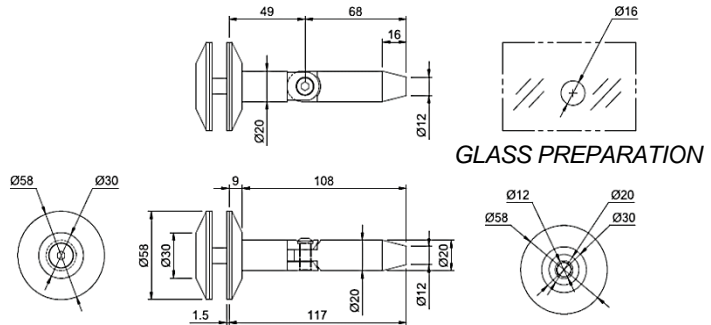
# POINT FIX CONNECTORS



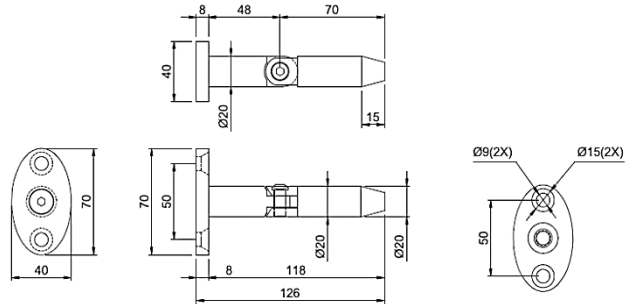
**PFC-58/1**



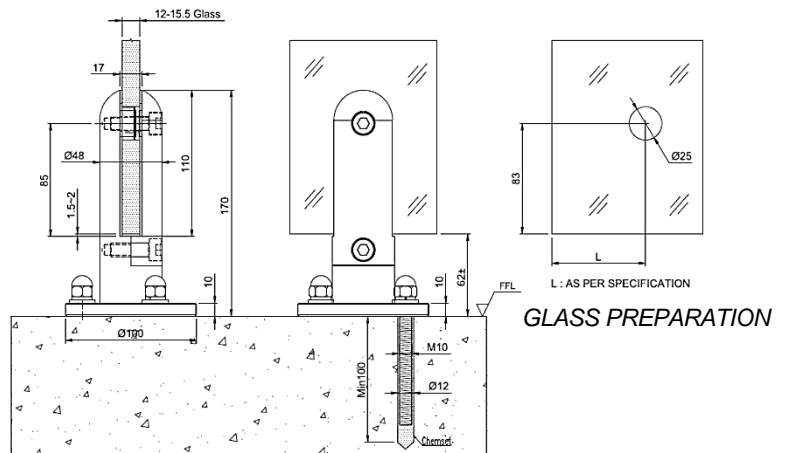
**PFC-58/2**

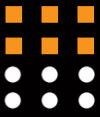


**PFC-58/3**



**PFC-48**

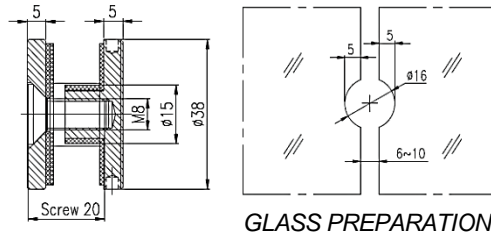




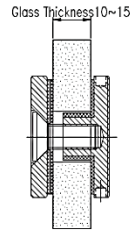
# POINT FIX CONNECTORS



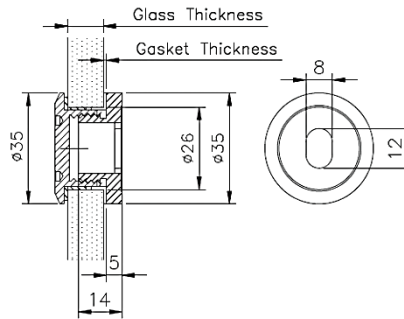
**PFC-6A**



**GLASS PREPARATION**



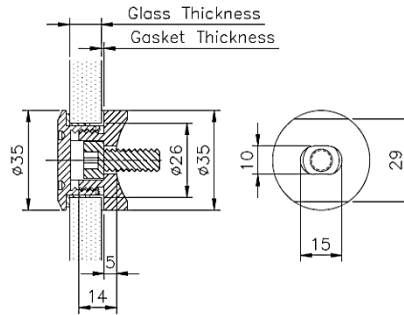
**PFC-7/6A**



**GLASS PREPARATION**



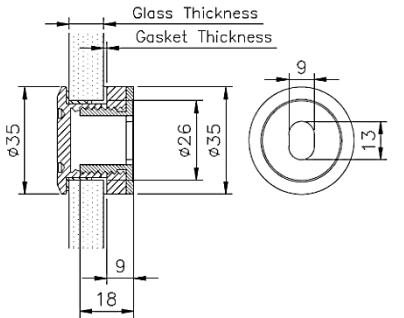
**PFC-7/6B**



**GLASS PREPARATION**



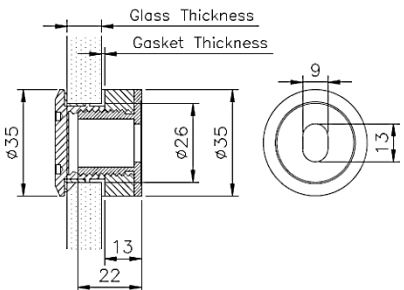
**PFC-7/12 (Adjustable)**



**GLASS PREPARATION**



**PFC-7/18**



**GLASS PREPARATION**



**Estron Marketing Pte. Ltd.**

141 Woodlands Industrial Park E5 E-terrace Singapore 757507

tel. +65 6853 9041 fax. +65 6853 9042

e-mail. sales@estron.com.sg url. www.estron.com.sg



*Product improvement is a continuous process,  
please check specifications at point of purchase.*