



ESTRONTM

ESTRON MARKETING PTE. LTD.



GLASS CONNECTORS

Quality Architectural
Hardware Specialist

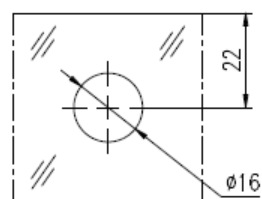
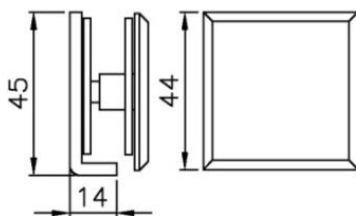


FEATURES

- Provides a mechanical fixing of glass panels
- Suitable for connection 8 – 10mm thick frameless glass panels
- Various design to suit various functions (Glass - Wall 90°/ Glass – Glass 90°, 135°, 180°)
- Material: Brass
- Finish: Chrome Polish (CP) / Black (BK)



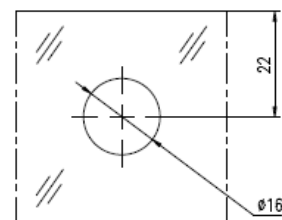
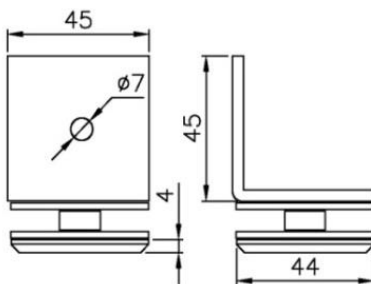
SSA-900
Finish: CP / BK



GLASS PREPARATION



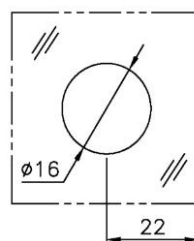
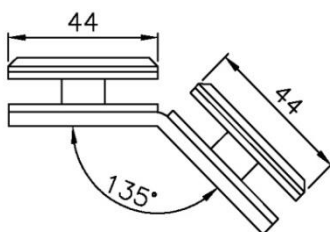
SSA-910
Finish: CP / BK



GLASS PREPARATION



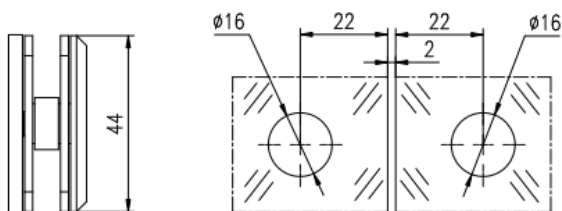
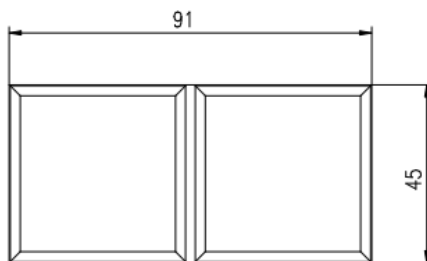
SSA-920
Finish: CP / BK



GLASS PREPARATION



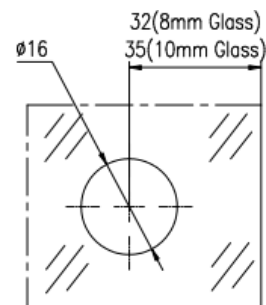
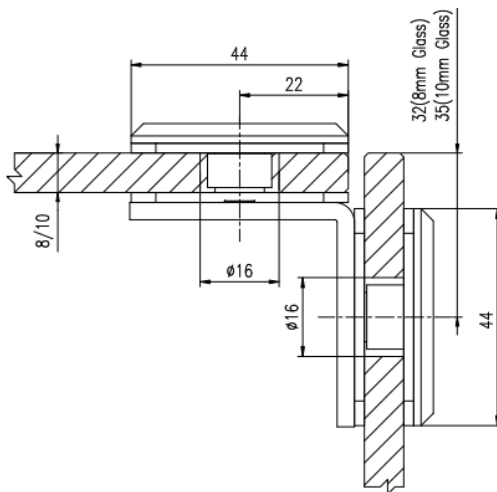
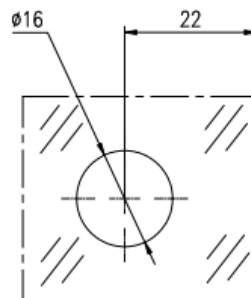
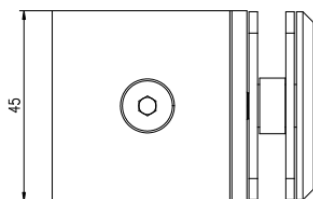
GLASS CONNECTORS



GLASS PREPARATION

SSA-930

Finish: CP / BK



GLASS PREPARATION

SSA-940

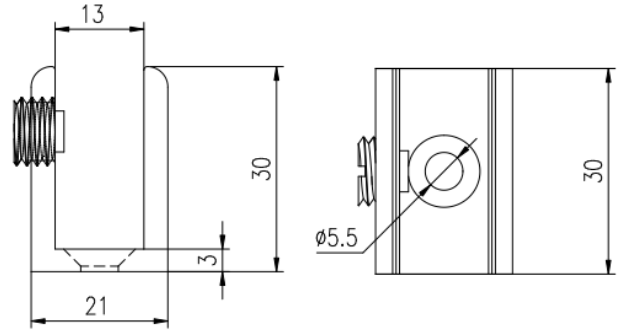
Finish: CP / BK



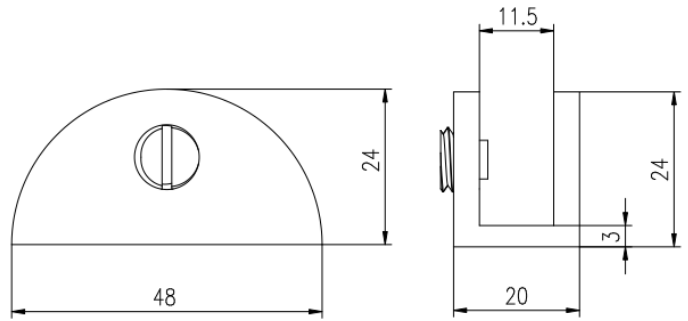
GLASS CONNECTORS



GC-901
Finish: CP / BK

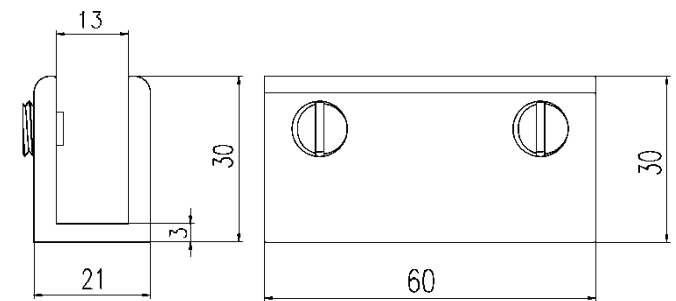


GC-902
Finish: CP

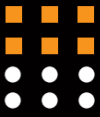


GC-903-12
Finish: CP
(For 10 – 12mm Glass)

GC-903-15
Finish: CP / BK
(For 12 – 15mm Glass)



(For GC-903-12)



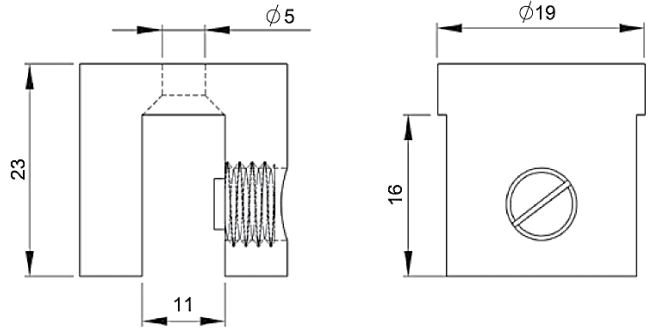
GLASS CONNECTORS



GC-904-19

Finish: CP

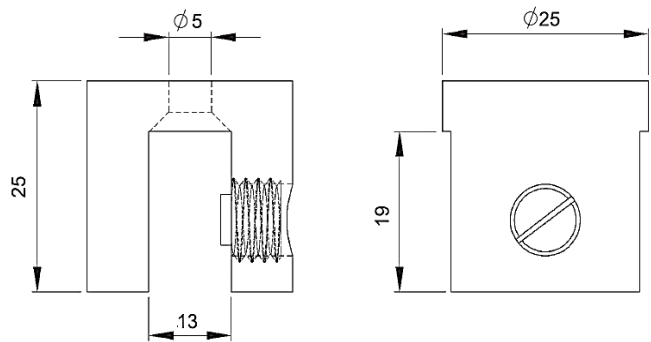
Dia19: For glass thk 8– 10mm



GC-904-25

Finish: CP

Dia25: For glass thk 8– 12mm

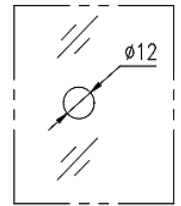
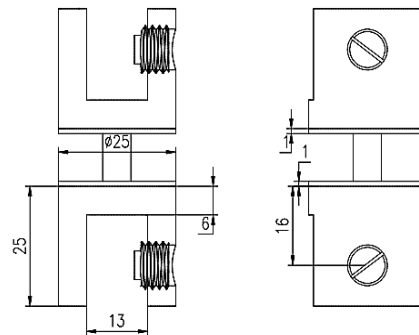


GC-904-G

Finish: CP

Type 1 – Dia25: For glass thk 8– 12mm

Type 2 - Dia25: For glass thk 8



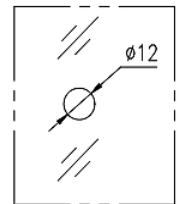
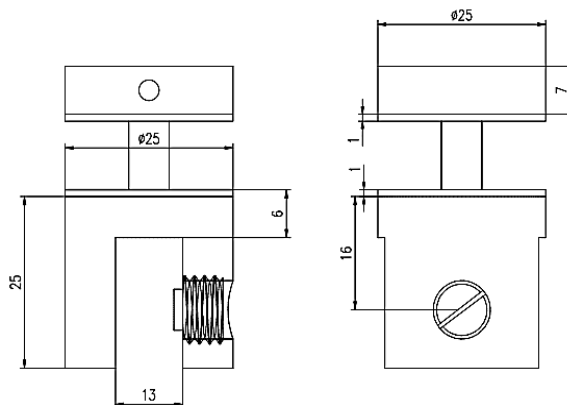
GLASS PREPARATION



GC-904-T

Finish: CP

Dia25: For glass thk 8– 12mm



GLASS PREPARATION



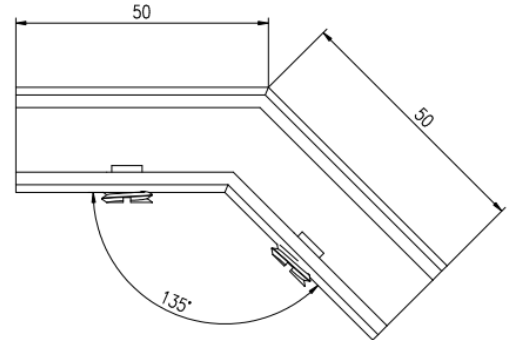
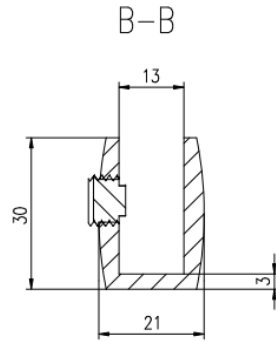
GLASS CONNECTORS



GC-905-135

Finish: CP

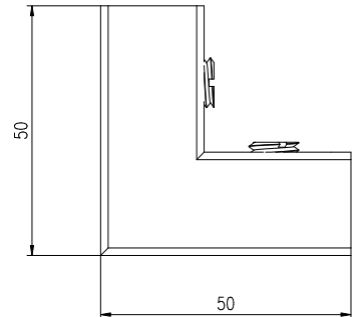
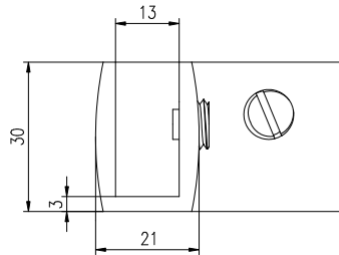
Glass Connector 135° 30x50 CP



GC-905-90

Finish: CP

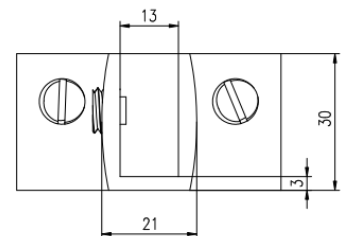
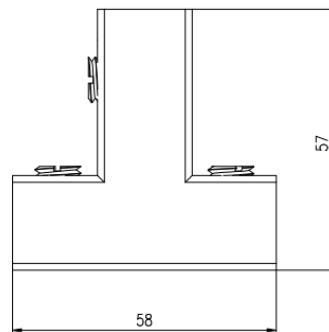
Glass Connector 90° 30x50 CP



GC-905-T

Finish: CP

Glass Connector T-Junction 30x60 CP





Estron Marketing Pte. Ltd.

141 Woodlands Industrial Park E5 E-terrace Singapore 757507

tel. +65 6853 9041 fax. +65 6853 9042

e-mail. sales@estron.com.sg url. www.estron.com.sg



*Product improvement is a continuous process,
please check specifications at point of purchase.*