



ESTRONTM

ESTRON MARKETING PTE. LTD.

SEALING STRIPS SERIES

Quality Architectural
Hardware Specialist

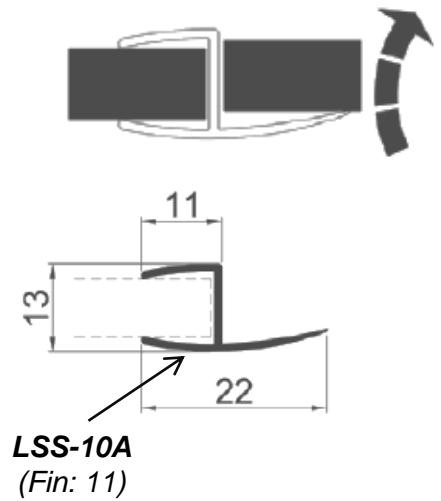
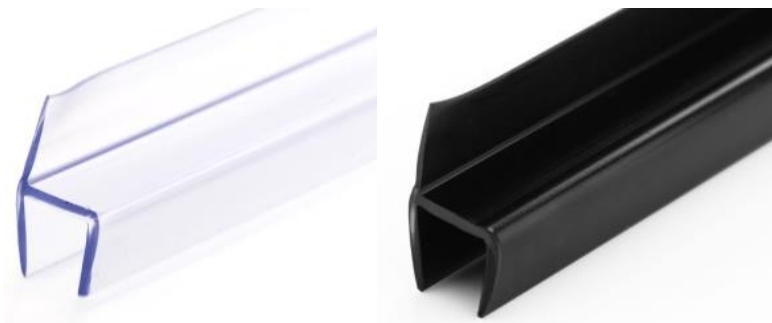


FEATURES

- Made of co-extruded vinyl, the seals are clip-on to glass edges with the seal part profiles shaped to achieve desired functions such as water ingress, air infiltration, impact cushioning and holding etc.
- Suitable for 6, 8, 10, 12 and 15mm glass thickness
- Available in different standard length: 2.2m, 2.7m, 2.8m, 3m
- Custom-made length is available upon request

TYPE A

For 180 Degree Glass to Glass

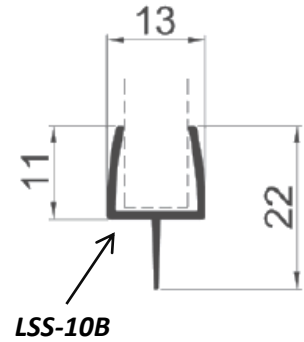
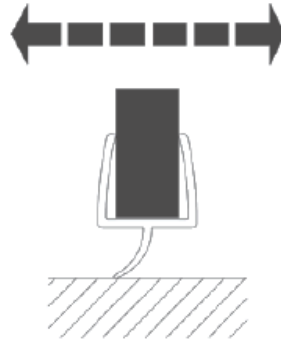


Model No.	Glass Thickness	Length	Finishing
LSS-06A	6mm	2.7m (Fin: 11mm)	Clear
LSS-08A	8mm	2.7m (Fin: 11mm)	Clear / Black
LSS-10A	10mm	2.7m (Fin: 11mm)	Clear / Black
	10mm	2.7m (Fin: 16mm)	Clear
LSS-12A	12mm	3.0m (Fin: 11mm)	Clear / Black
	12mm	3.0m (Fin: 25mm)	Clear
LSS-13.5A	13.52mm	3.0m (Fin: 11mm)	Clear
	13.52mm	3.0m (Fin: 16mm)	Clear
LSS-15A	15mm	3.0m (Fin: 16mm)	Clear



TYPE B

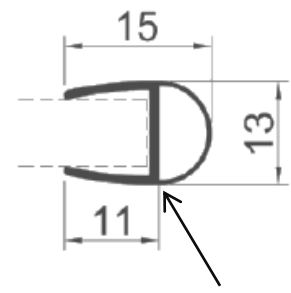
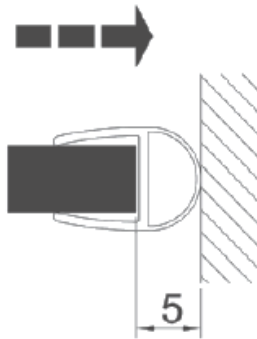
Glass to Floor Seal



Model No.	Glass Thickness	Length	Finishing
LSS-10B	10mm	2.7m (Fin: 11mm)	Clear
LSS-12B	12mm	2.7m (Fin: 11mm)	Clear

TYPE C

For 180 Degree Glass to Wall/Glass



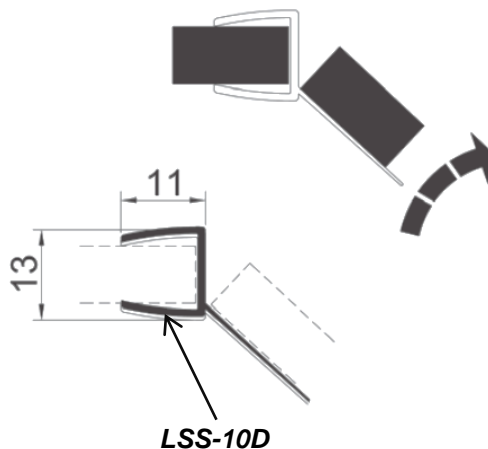
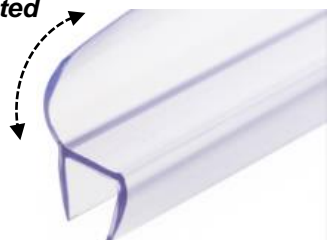
Model No.	Glass Thickness	Length	Finishing
LSS-08C	8mm	2.7m	Clear
LSS-10C	10mm	2.7m	Clear
LSS-12C	12mm	3.0m	Clear



TYPE D

For 135 Degree Glass to Wall/Glass

Slanted

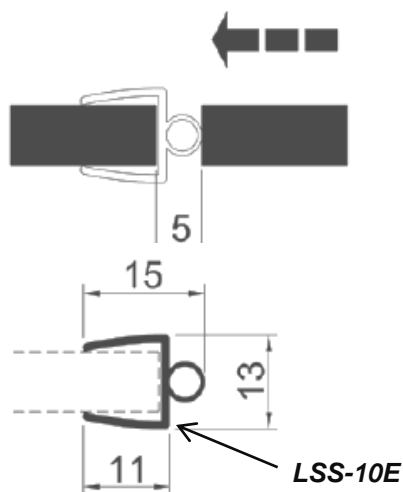


LSS-10D

Model No.	Glass Thickness	Length	Finishing
LSS-08D	8mm	2.7m (Fin: 16mm)	Clear
LSS-10D	10mm	2.7m (Fin: 16mm)	Clear / Black
LSS-12D	12mm	2.7m (Fin: 16mm)	Clear

TYPE E

For 180 Degree Glass to Wall/Glass



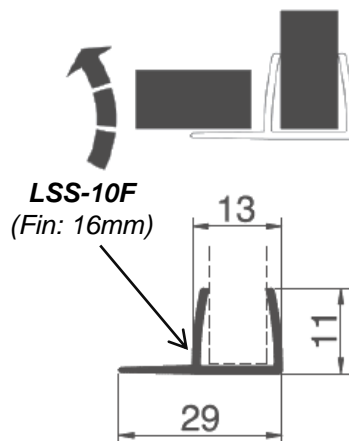
LSS-10E

Model No.	Glass Thickness	Length	Finishing
LSS-08E	8mm	2.2m	Clear / Black
LSS-10E	10mm	2.2m	Clear / Black
		2.7m	Clear / Black
LSS-12E	12mm	3.0m	Clear / Black
LSS-13.5E	13.5mm	3.0m	Clear
LSS-15E	15mm	3.0m	Clear



TYPE F

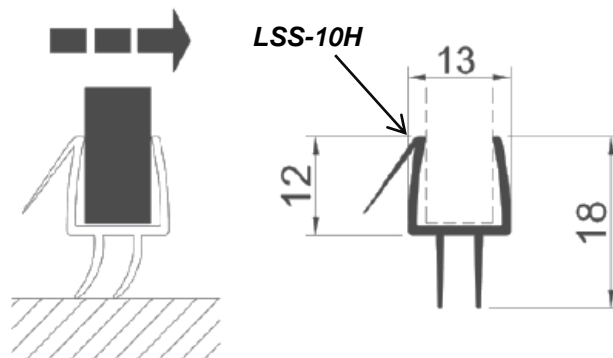
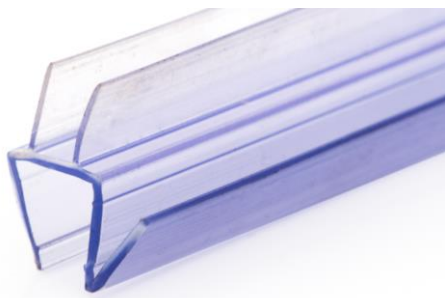
For 90 Degree Glass to Wall / Glass



Model No.	Glass Thickness	Length	Finishing
LSS-08F	8mm	2.2m (Fin: 11mm)	Clear
LSS-10F	10mm	2.2m (Fin: 11mm)	Clear/ Black
		2.2m (Fin: 16mm)	Clear
		2.7m (Fin: 16mm)	Clear / Black
		2.7m (Fin: 22mm)	Clear
LSS-12F	12mm	3.0m (Fin: 22mm)	Clear / Black
LSS-13.5F	13.5mm	3.0m (Fin: 22mm)	Clear

TYPE H

For Glass to Wall / Glass

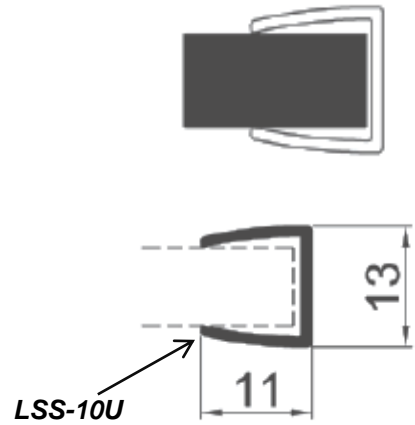


Model No.	Glass Thickness	Length	Finishing
LSS-10H	10mm	2.7m (Fin: 6mm)	Clear



TYPE U

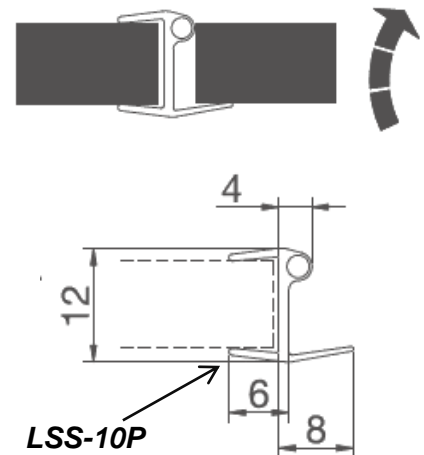
For Glass Edge Protection



Model No.	Glass Thickness	Length	Finishing
LSS-08U	8mm	2.2m	Clear
		2.7m	Black
LSS-10U	10mm	2.7m	Clear / Black
LSS-12U	12mm	3.0m	Clear / Black
LSS-13.5U	13.5mm	3.0m	Clear
LSS-15U	15mm	3.0m	Clear

TYPE P

Waterproof Sealing Strip for Glass to Glass

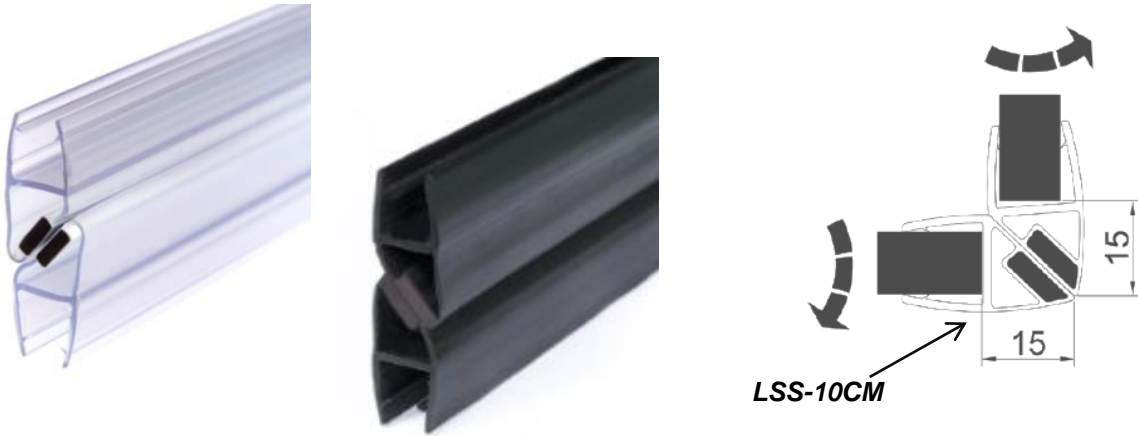


Model No.	Glass Thickness	Length	Finishing
LSS-10P	10mm	2.8m	Clear / Black



TYPE CM

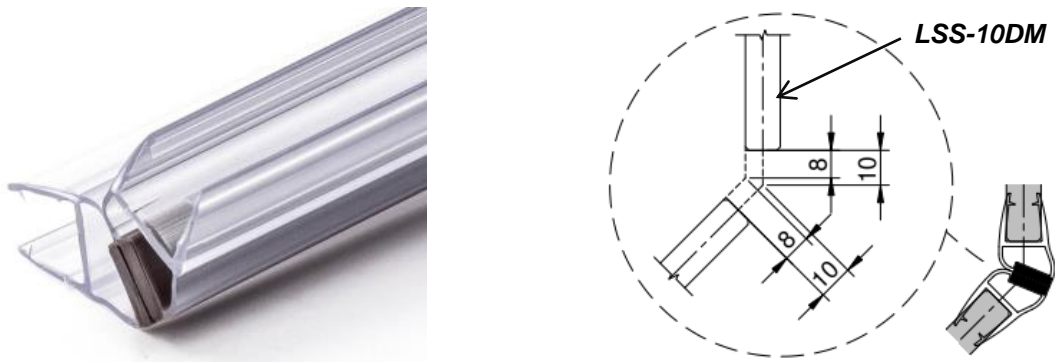
With Magnets for holding in 90-degree closed position doors



Model No.	Glass Thickness	Length	Finishing
LSS-08CM	8mm	2.2m	Clear / Black
LSS-10CM	10mm	2.2m	Clear/ Black / White
		2.8m	Clear
LSS-12CM	12mm	2.8m	Clear
LSS-15CM	15mm	3.0m	Clear

TYPE DM

With Magnets for holding in 135-degree closed position doors

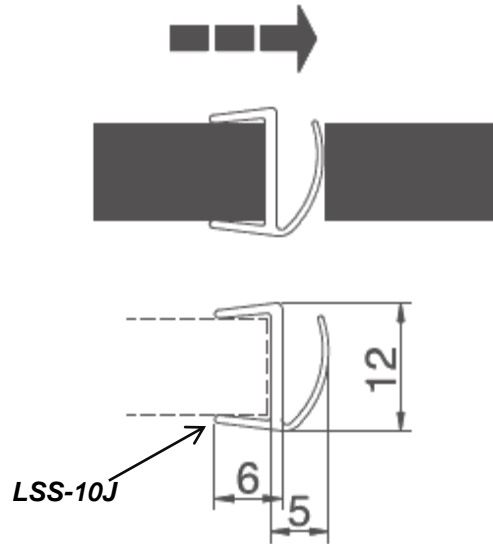
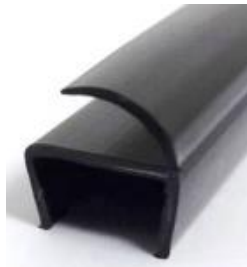


Model No.	Glass Thickness	Length	Finishing
LSS-10DM (135 Degree)	10mm	2.2m	Clear



TYPE J

Waterproof Sealing Strip for Glass to Glass

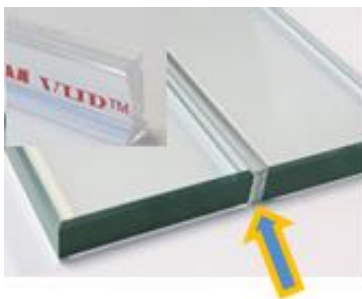


Model No.	Glass Thickness	Length	Finishing
LSS-10J	10mm	2.8m	Clear / Black

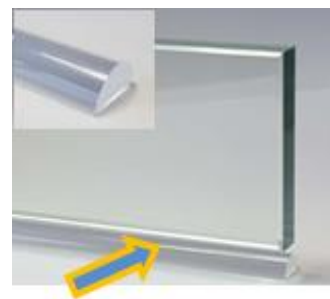
Partitioning Joint Strip

LSS-101 & LSS-121: Ideal solution for internal frameless glass partitions when silicone application is restricted.

LSS-126: Suitable to use on floor to cover gap and water retention.

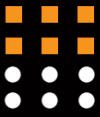


LSS-101 / LSS-121



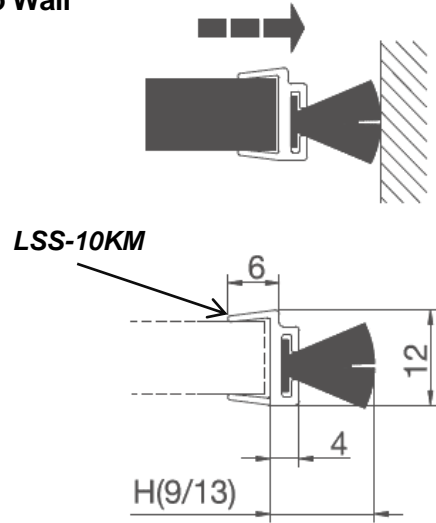
LSS-126

Model No.	Glass Thickness	Length	Finishing
LSS-101	10mm	2.5m	Clear
LSS-121	12mm	2.5m	Clear
LSS-126	8 – 12mm	2.5m	Clear



TYPE KM

Waterproof Sealing Strip with Wool Pile for Glass to Wall



Model No.	Glass Thickness	Length	Finishing
LSS-10KM-9	10mm	2.8m	Clear / Black
LSS-10KM-13	10mm	2.8m	Clear / Black

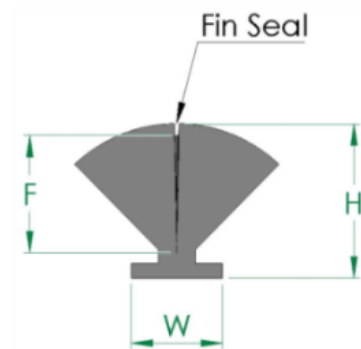
TYPE WP



WP-48-800-G



WP-67-1200-G



Model No.	Size (W x H)	Fin Seal (F)	Finishing
WP-48-800-G	4.8mm x 8mm	5.5mm	Grey
WP-67-1200-G	6.7mm x 12mm	9mm	Grey
WP-48-900-G	4.8mm x 9mm	N / A	Grey



Estron Marketing Pte. Ltd.

141 Woodlands Industrial Park E5 E-terrace Singapore 757507

tel. +65 6853 9041 fax. +65 6853 9042

e-mail. sales@estron.com.sg url. www.estron.com.sg



*Product improvement is a continuous process,
please check specifications at point of purchase.*