



**ESTRON**<sup>TM</sup>

ESTRON MARKETING PTE. LTD.



# LOCKSET SERIES

Quality Architectural  
Hardware Specialist



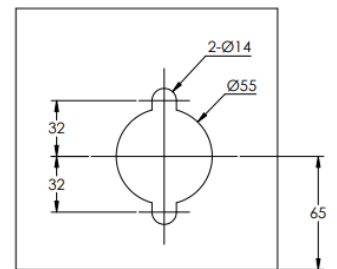
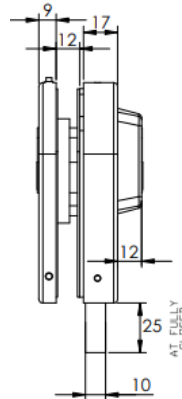
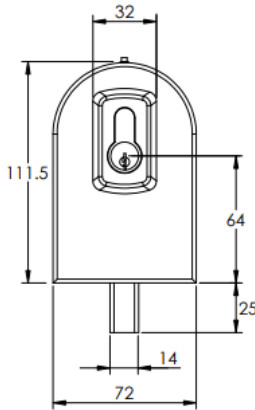
## FEATURES

- Suitable for connecting 8, 10, 12mm thick frameless glass panel
- Various devices to suit various functions of glass panel locking
- Material: SUS 304
- Finish: Satin (SSS) / Polished (PSS) / Black (BK)



**PL-34R**

Finish: PSS / SSS / BK

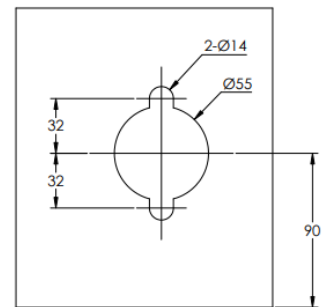
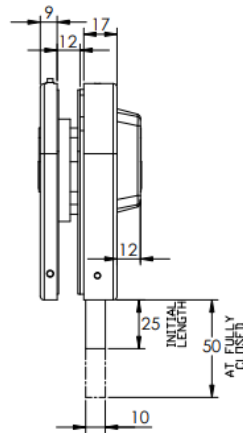
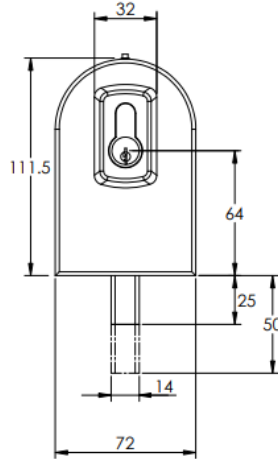


GLASS PREPARATION



**PL-34R-M**

Finish: PSS / SSS / BK

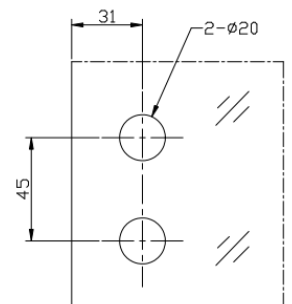
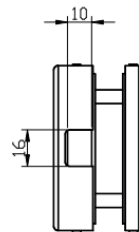
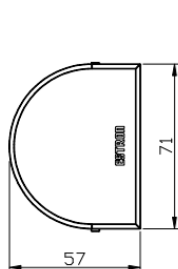


GLASS PREPARATION

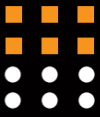


**PL-34R/K**

Finish: PSS



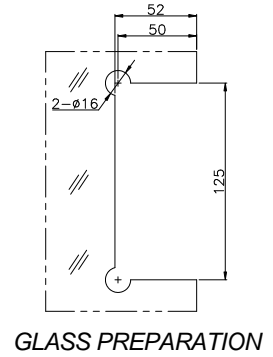
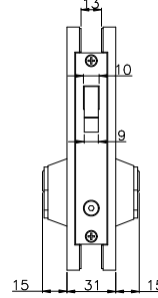
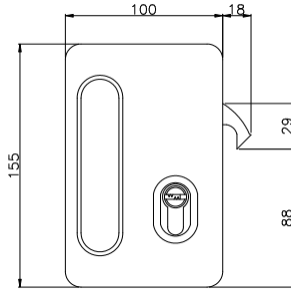
GLASS PREPARATION



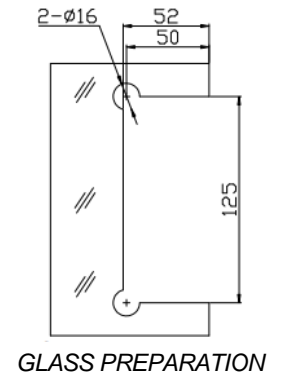
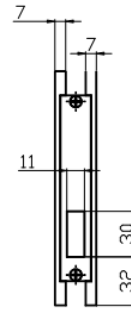
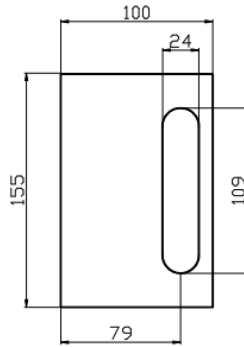
# PL SERIES LOCKSET



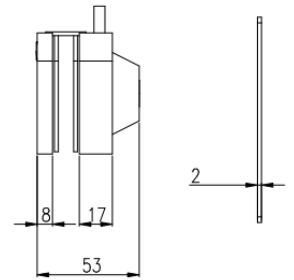
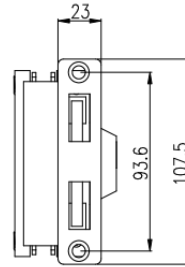
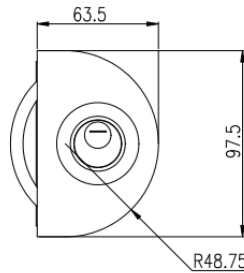
**PL-36**  
Finish: SSS



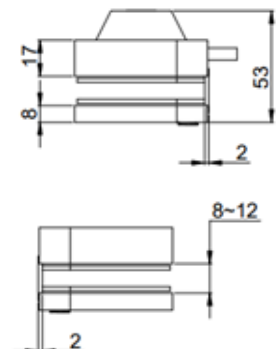
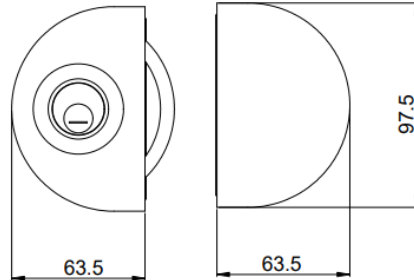
**PL-36K**  
Finish: SSS

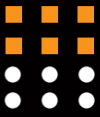


**PL-37WS**  
Finish: SSS



**PL-37GS**  
Finish: SSS

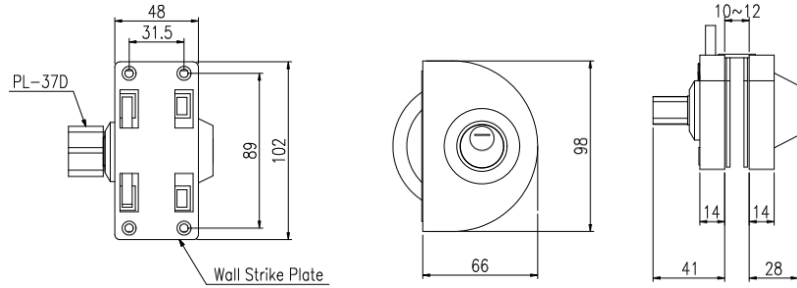




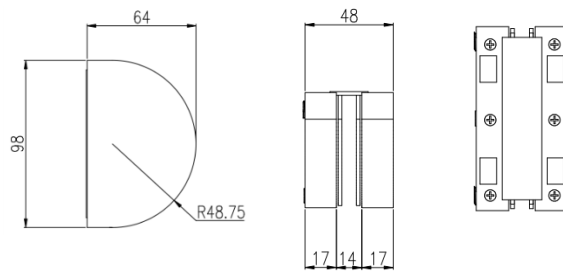
# PL SERIES LOCKSET



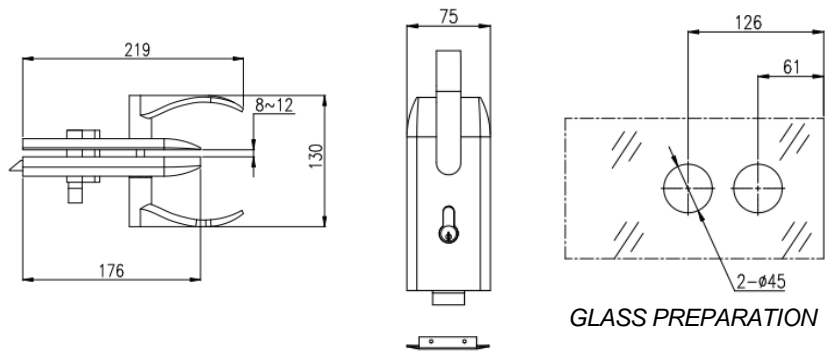
**PL-37D**  
Finish: SSS



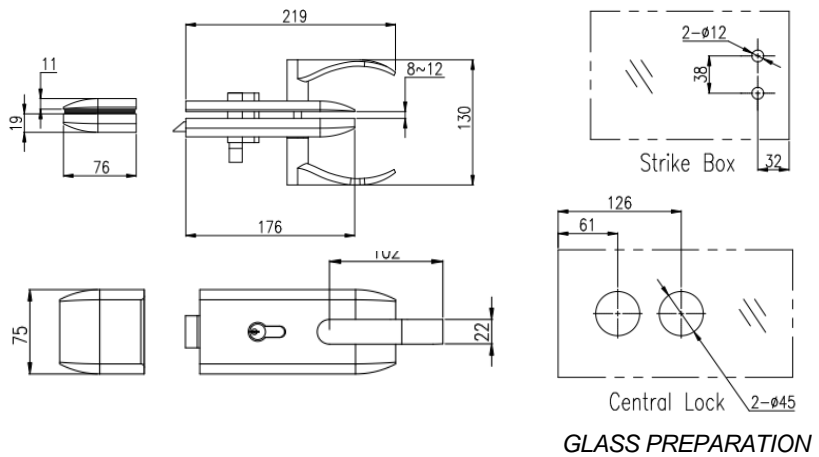
**PL-37K**  
Finish: SSS



**PL-38WS**  
Finish: SSS



**PL-38GS**  
Finish: SSS

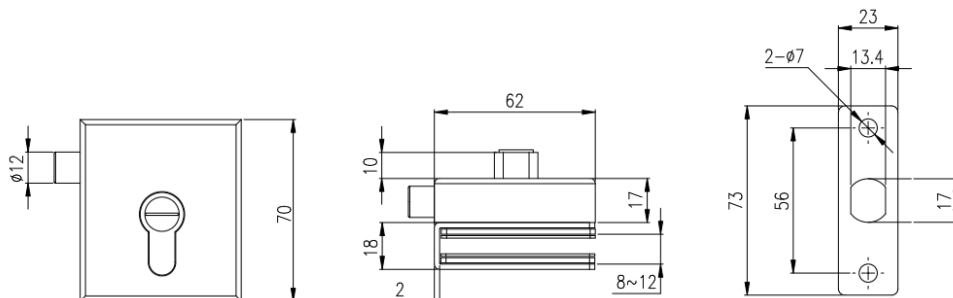




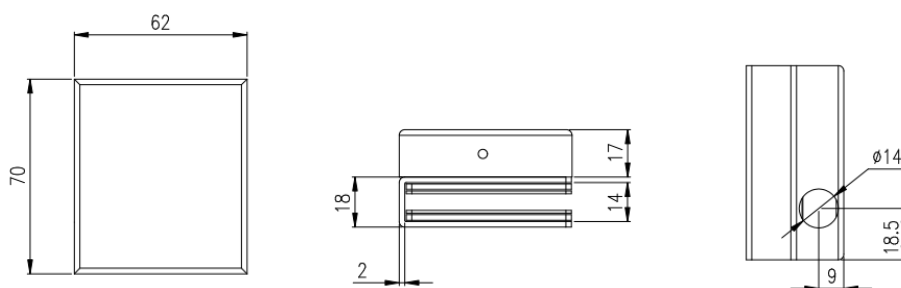
# PL SERIES LOCKSET



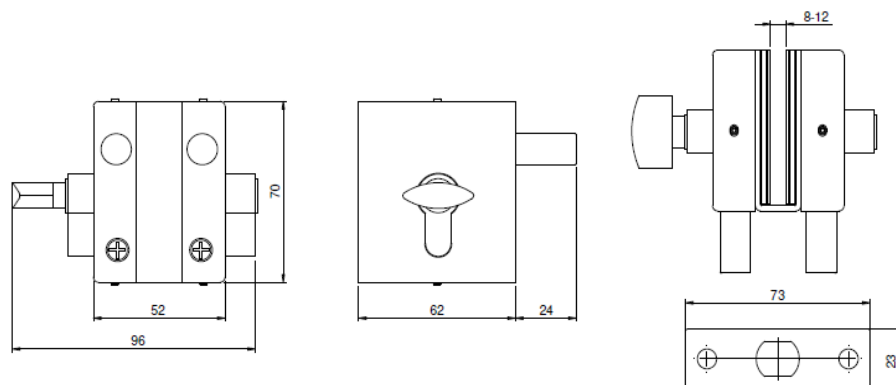
**PL-39**  
Finish: PSS



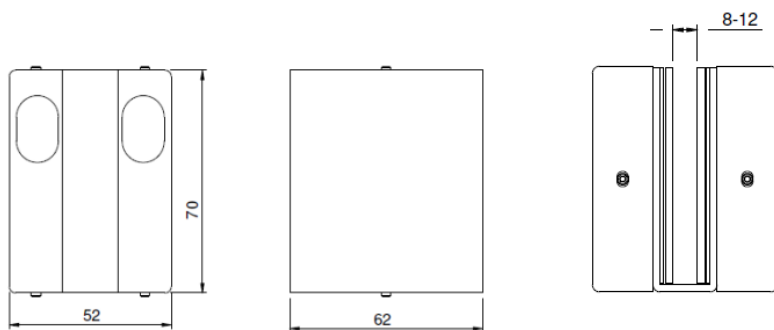
**PL-39K**  
Finish: PSS

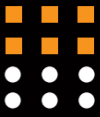


**PL-40**  
Finish: PSS



**PL-40K**  
Finish: PSS

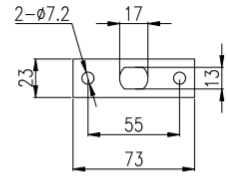
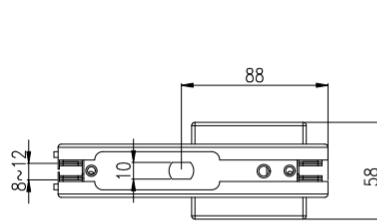




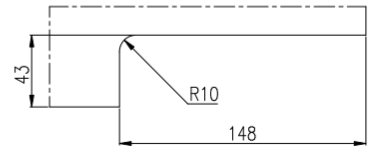
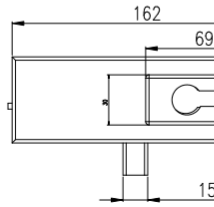
# PL SERIES LOCKSET



**PL-010**  
Finish: PSS / SSS / BK



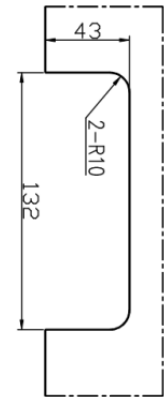
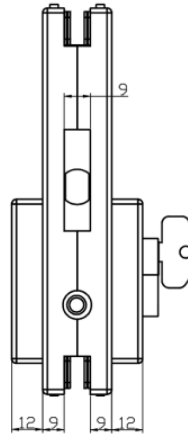
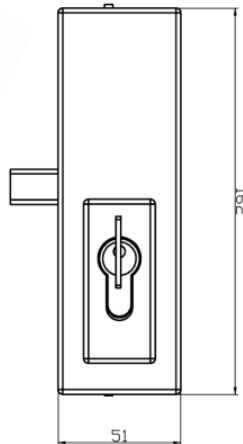
LOCK KEEPER



GLASS PREPARATION



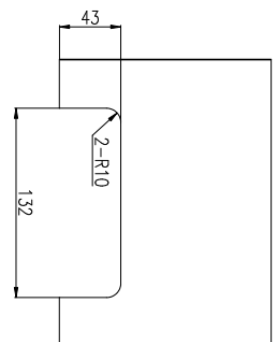
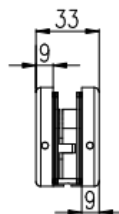
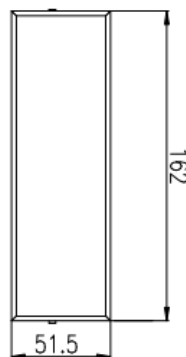
**PL-050**  
Finish: PSS / SSS / BK  
(Center Lock)



GLASS PREPARATION



**GK-050**  
Finish: PSS / SSS / BK  
(Center Strike Box)



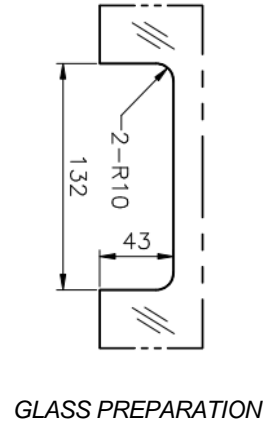
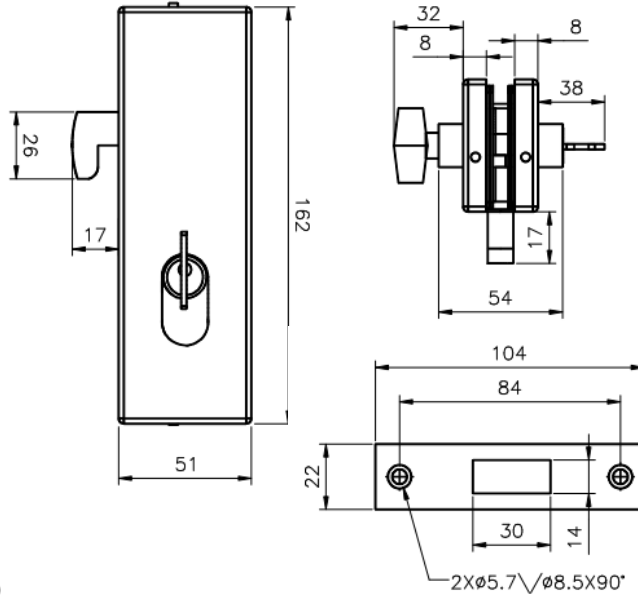
GLASS PREPARATION



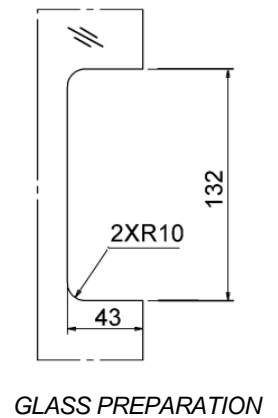
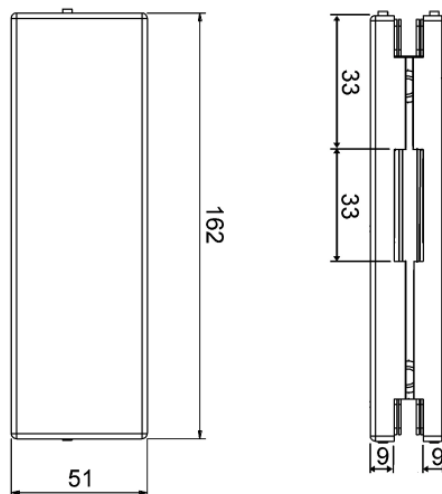
# PL SERIES LOCKSET



**SL-50**  
Finish: PSS  
(Center Sliding Lock)



**SL-50K**  
Finish: PSS  
(Center Sliding Strike Box)

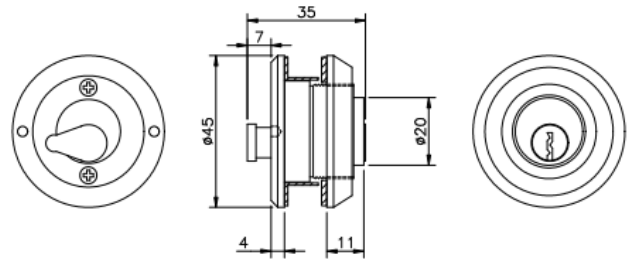




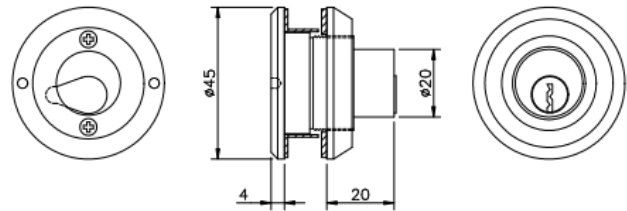
# PL SERIES LOCKSET



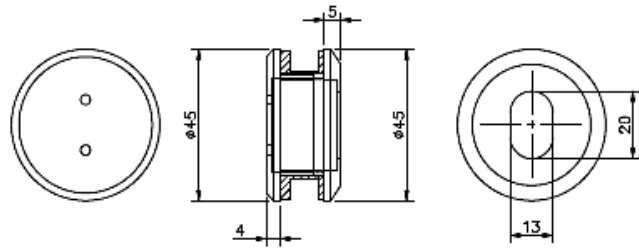
**SL-60G**  
Finish: SSS



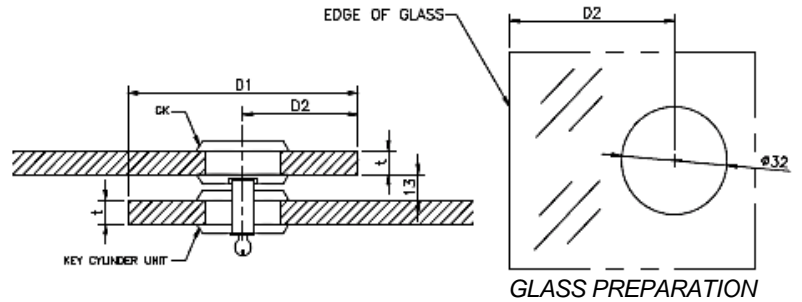
KEY CYLINDER UNIT  
LOCK POSITION



KEY CYLINDER UNIT  
UNLOCK POSITION



GK



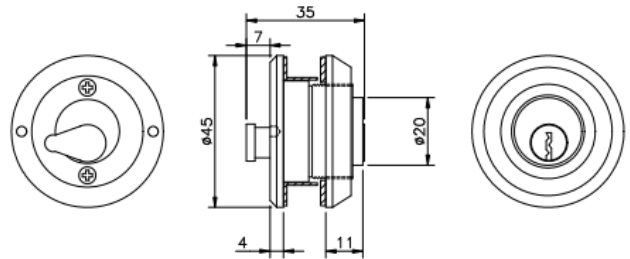
GLASS PREPARATION

GLASS THICKNESS, t (mm)	MIN. OVERLAP DIST., D1 (mm)	FROM EDGE OF GLASS, D2 (mm)
10	72	36
12	80	40

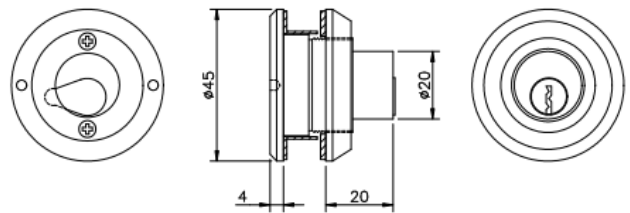




# PL SERIES LOCKSET



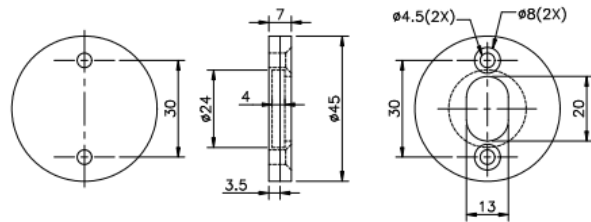
KEY CYLINDER UNIT  
LOCK POSITION



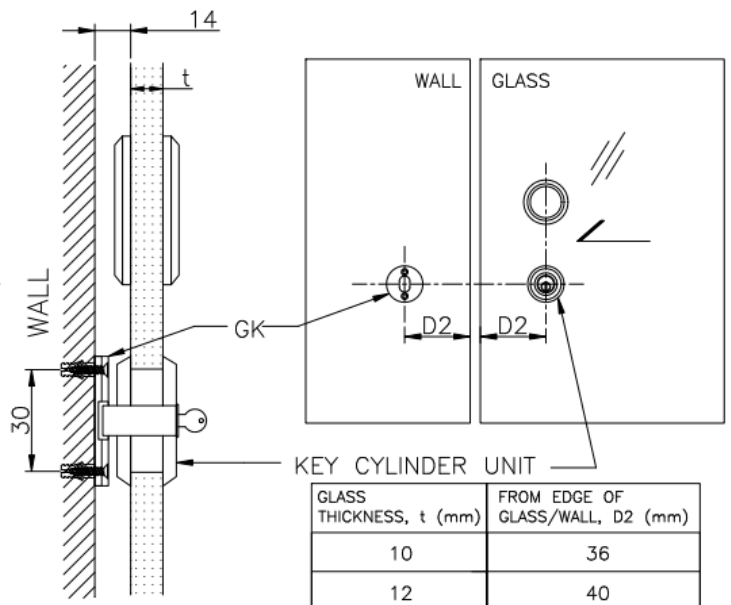
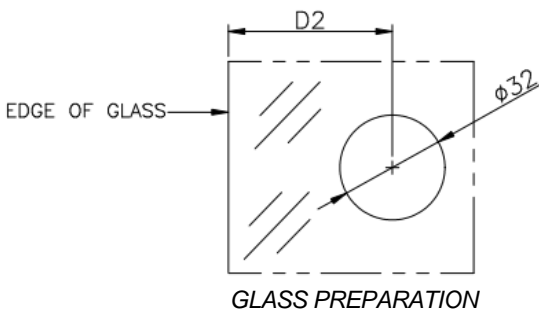
KEY CYLINDER UNIT  
UNLOCK POSITION



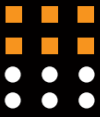
**SL-60W**  
Finish: SSS



GK



GLASS THICKNESS, t (mm)	FROM EDGE OF GLASS/WALL, D2 (mm)
10	36
12	40



# PL SERIES LOCKSET



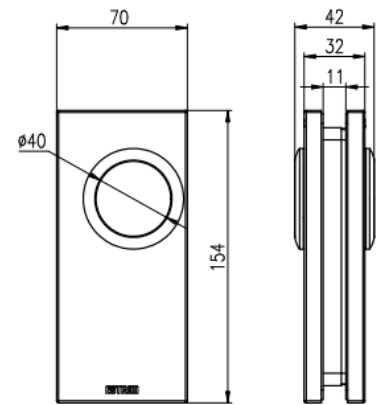
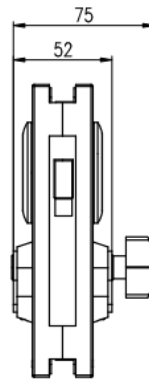
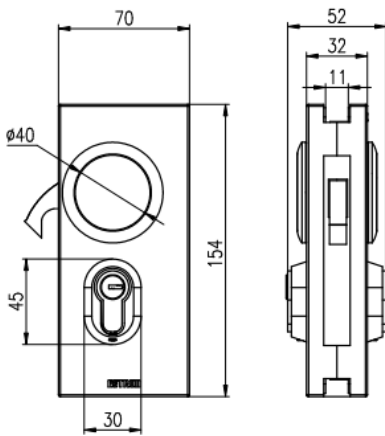
**SL-70**  
Finish: PSS



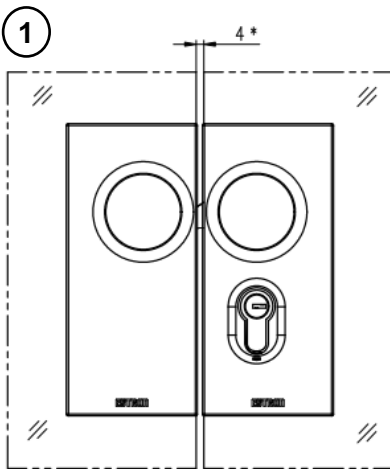
**SL-70T**  
Finish: PSS



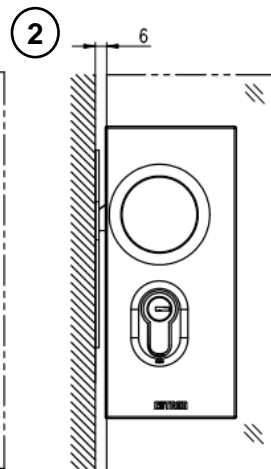
**SL-70K**  
Finish: PSS



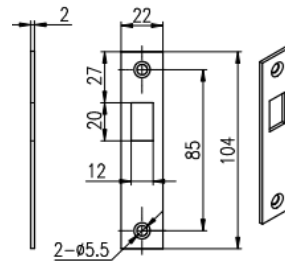
## CONFIGURATIONS



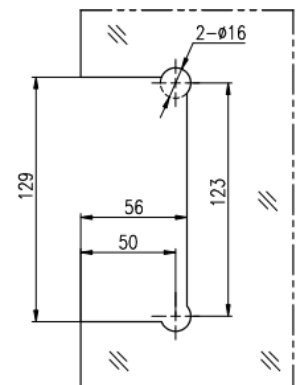
Glass To Glass  
Configuration



Glass To Wall  
Configuration



Strike Plate  
For Glass to Wall  
Configuration



GLASS PREPARATION  
For SL-70/SL-70T/SL-70K



**Estron Marketing Pte. Ltd.**

141 Woodlands Industrial Park E5 E-terrace Singapore 757507

tel. +65 6853 9041 fax. +65 6853 9042

e-mail. sales@estron.com.sg url. www.estron.com.sg



*Product improvement is a continuous process,  
please check specifications at point of purchase.*