



ESTRONTM

ESTRON MARKETING PTE. LTD.



TRANSOM CLOSER TC-850

Quality Architectural
Hardware Specialist

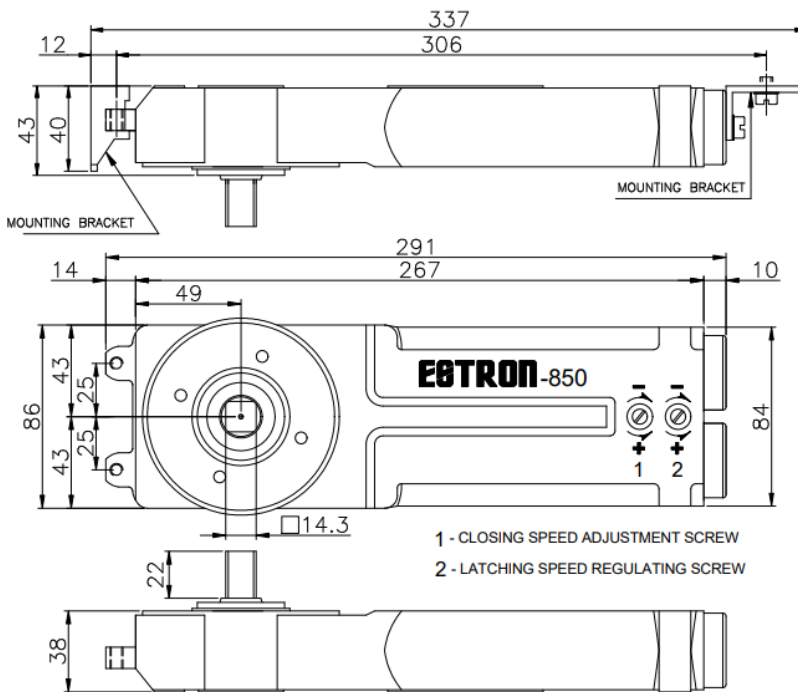


TC-850 TRANSOM CLOSER

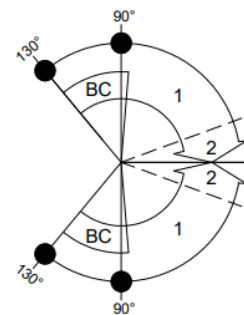
FEATURES

- Suitable for single or double action doors.
- Available in 2 sizes for door weights up to 100kg and width up to 1050mm.
- 2 valves for closing and latching speed adjustments.
- Full range accessories for glass door and framed door installation.

DIMENSIONS



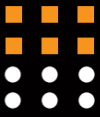
TC-850 illustration



1 - CLOSING RANGE
2 - LATCHING RANGE
BC - BACKCHECK ZONE

TECHNICAL DATA

Floor Spring Size Code	EN2	EN3
Spring Strength, approx. (Nm)	20	25
Maximum door width up to (mm)	< 950	< 1050
Hold open position	90°	90°
Back hold position	130°	130°
Non hold open (NHO)	Optional	Optional
Spindle size	22mm (7/8")	22mm (7/8")
Closing and latching speed control setting	Yes	Yes
Dimension, L x W x H (mm)	306x84x40	306x84x40



FITTINGS FOR GLASS DOOR INSTALLATION



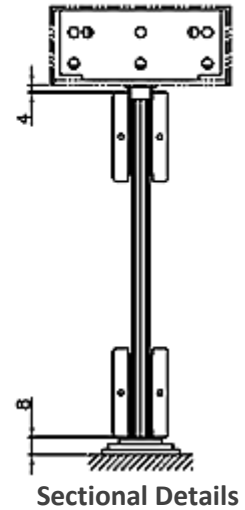
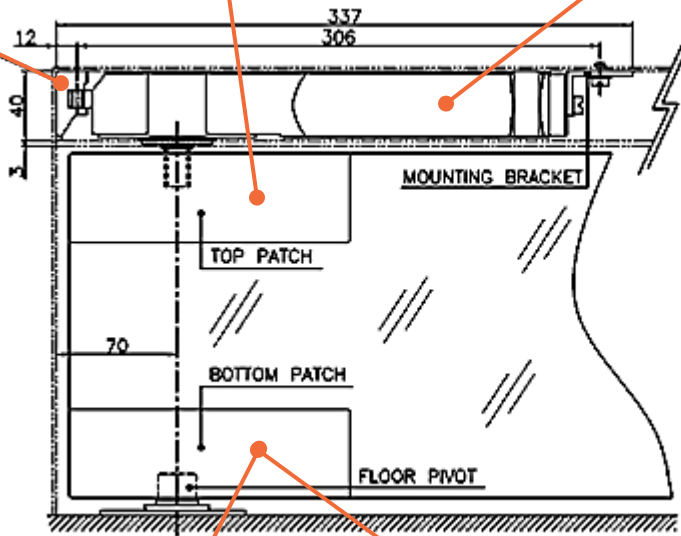
Top Patch (PF-010)
And Insert Assembly



TC-850 Overhead
Door Closer



Mounting Brackets
for TC-850 Body



Bottom Patch (PF-010) and
Floor Pivot (FP-44) Assembly

OR



Bottom Patch (PF-020) and
Floor Pivot (FP-44A) Assembly

FITTINGS FOR FRAMED DOOR



Bottom Pivot Set



Side Load Arm and Arm Channel Assembly



Estron Marketing Pte. Ltd.

141 Woodlands Industrial Park E5 E-terrace Singapore 757507

tel. +65 6853 9041 fax. +65 6853 9042

e-mail. sales@estron.com.sg url. www.estron.com.sg



*Product improvement is a continuous process,
please check specifications at point of purchase.*