

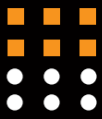


ESTRON MARKETING PTE. LTD.



SS-050 Frameless Sliding System

Quality Architectural
Hardware Specialist



SS-050 SLIDING SHOWER SCREEN

FEATURES

- Max weight per door leaf : 50kg
- Glass cut-out is required
- Glass Thickness: 8mm to 10mm
- Material: SUS304
- Finish: Satin (SSS)



SS-050-S Stopper



SS-050-C Clamp Roller



SS-050-W Wall Bracket



SS-050-G Clamp Bracket

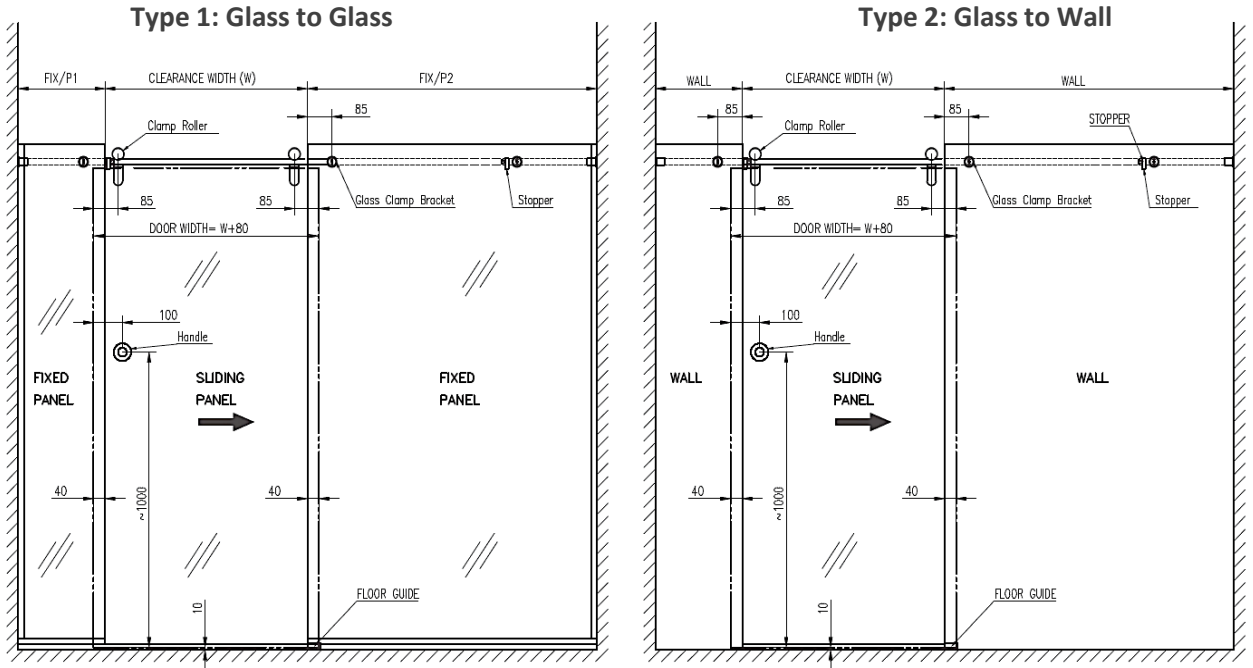


SS-050-WC Wall Clamp Bracket



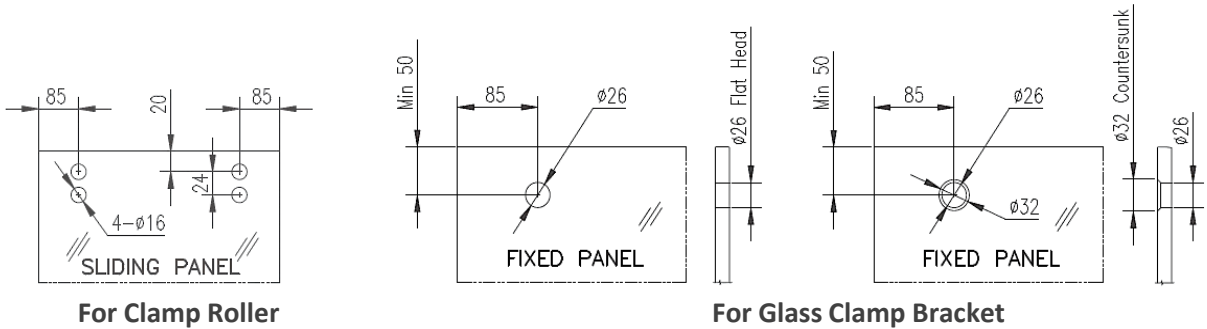
MS-100-FG Floor Guide

ELEVATION DRAWING:

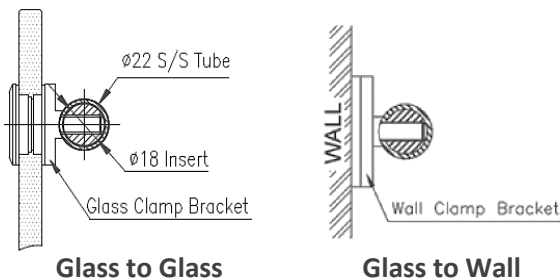


Note: 3 nos of Glass / Wall Glass Clamp Bracket (SS-050-G / WC) shown on above Elevation
There is just 1 no SS-050-G / WC included in 1 complete set of SS-050.

GLASS PREPARATION:



STAINLESS STEEL TUBE PREPARATION DRAWING:





Estron Marketing Pte. Ltd.

141 Woodlands Industrial Park E5 E-terrace Singapore 757507

tel. +65 6853 9041 fax. +65 6853 9042

e-mail. sales@estron.com.sg url. www.estron.com.sg



*Product improvement is a continuous process,
please check specifications at point of purchase.*