

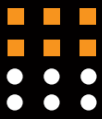


ESTRONTM

ESTRON MARKETING PTE. LTD.

SHOWER HINGES

Quality Architectural
Hardware Specialist



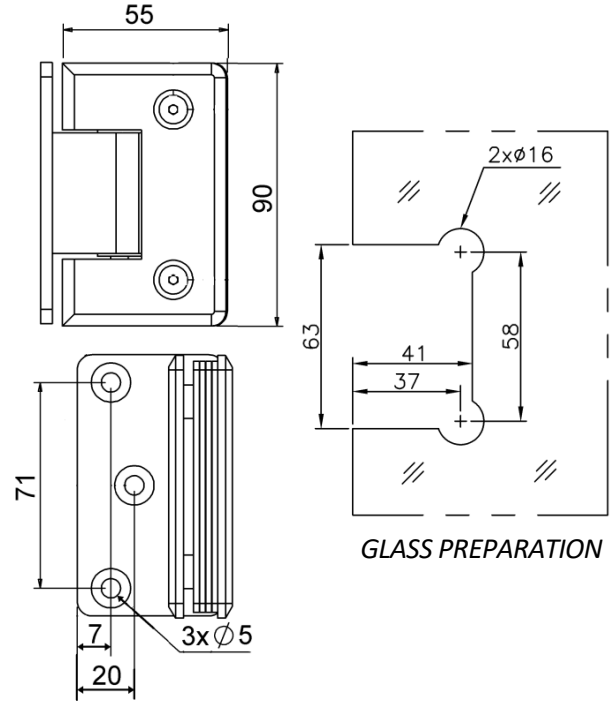
EH SERIES SHOWER HINGES

FEATURES

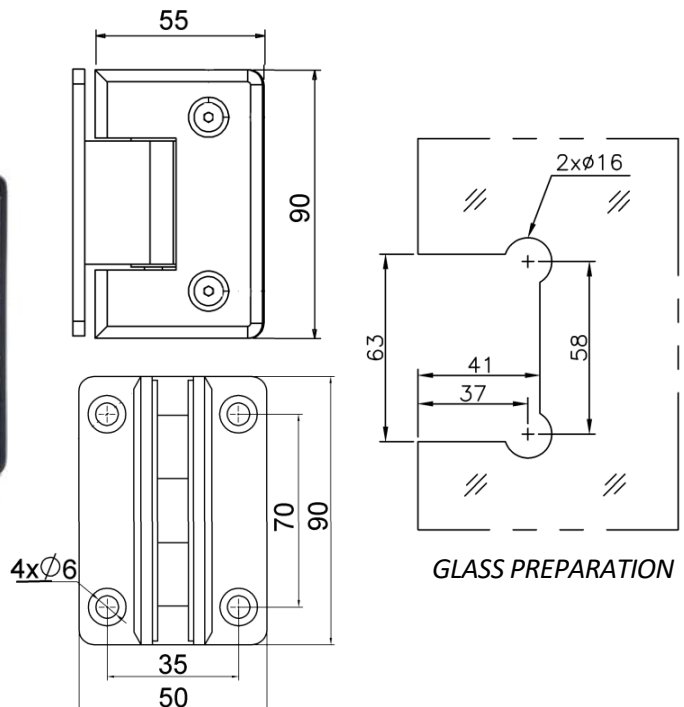
- Max weight per door leaf (2nos of hinges): 45kg
- Glass cut-out is required
- Glass Thickness: 8mm to 10mm
- Material: Solid Brass
- Finish: Chrome Polish (CP) /Satin Nickel (SN) /Matte Black(BK)



EH-100L
Finish: CP / SN / BK
(Glass To Wall)



EH-100T
Finish: CP / SN / BK
(Glass To Wall)

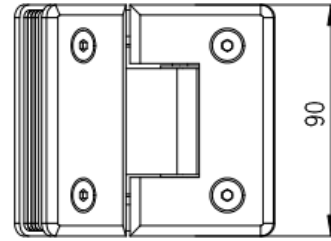




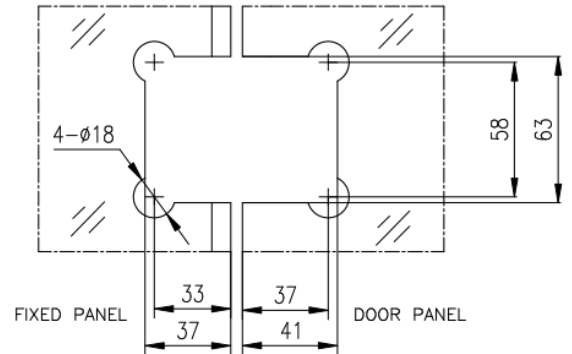
EH SERIES SHOWER HINGES



EH-200
Finish: CP / SN / BK
(Glass To Glass 135°)



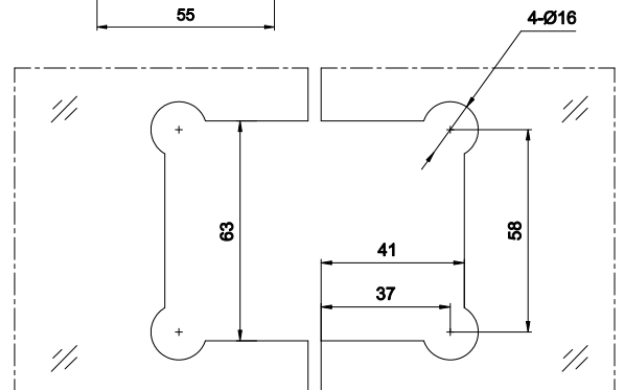
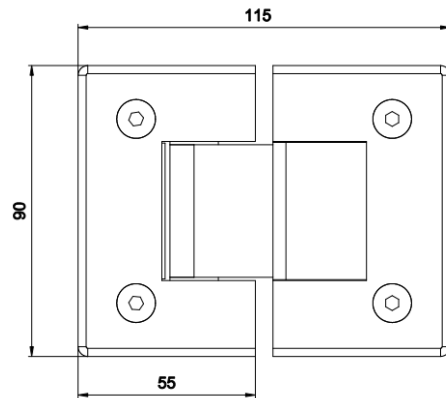
45° POLISHED MITRE
TO FIXED PANEL



GLASS PREPARATION



EH-300
Finish: CP / SN / BK
(Glass To Glass 180°)



GLASS PREPARATION

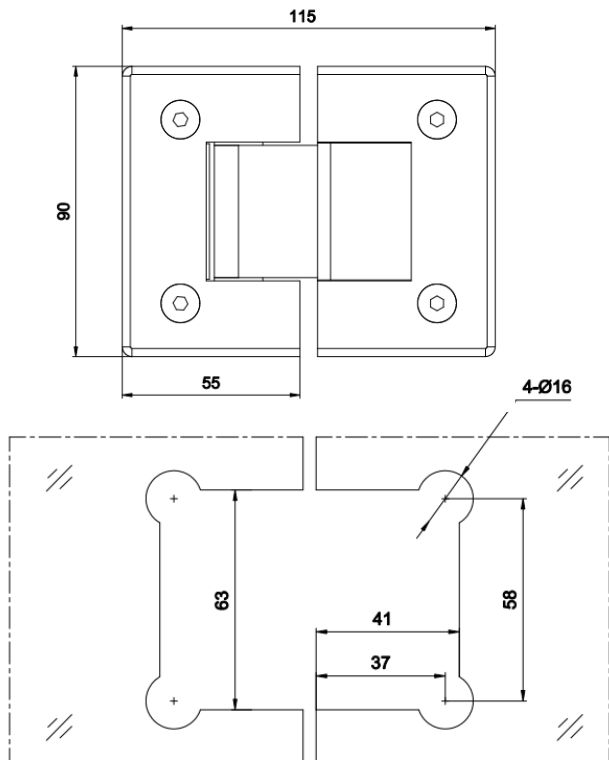


EH SERIES SHOWER HINGES



EH-400

Finish: CP / SN / BK
(Glass To Glass 90°)

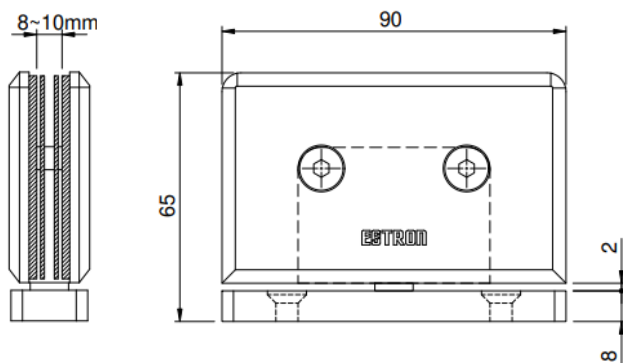


GLASS PREPARATION



EH-510

Finish: CP / BK
(Glass To Wall 360°)



GLASS PREPARATION



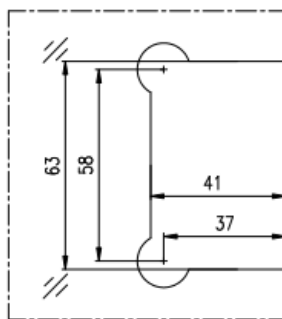
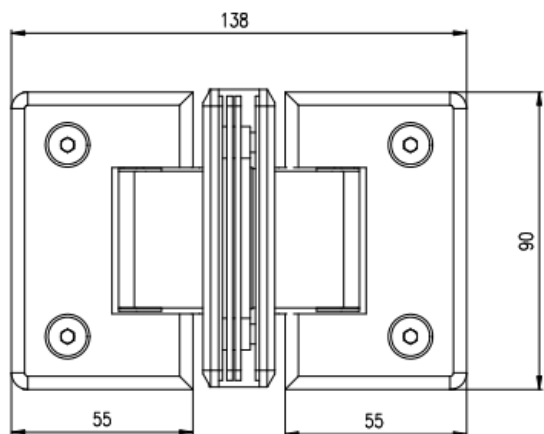
EH SERIES SHOWER HINGES



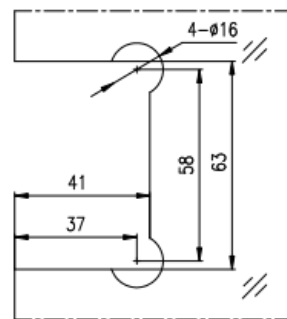
EH-600

Finish: CP

(Glass To Glass with fixed panel)

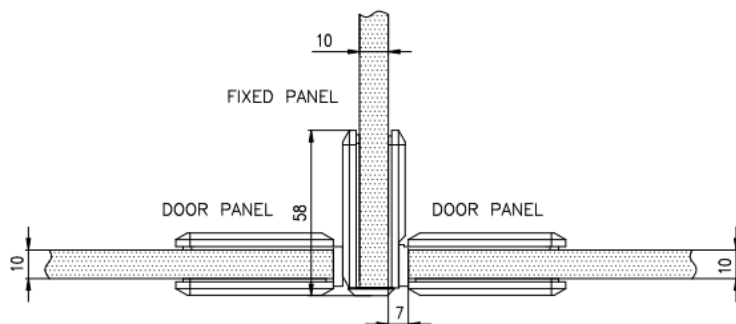


DOOR PANEL



DOOR PANEL(FIXED PANEL)

GLASS PREPARATION



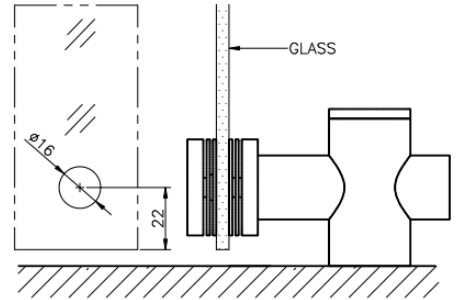
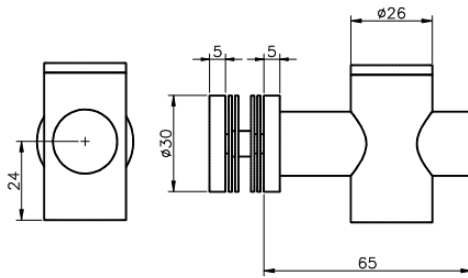
EH SERIES SHOWER HINGES

FEATURES

- Max weight per door leaf (2nos of hinges): 40kg
- Glass cut-out is required
- Glass Thickness: 8mm to 10mm
- Material: SS 304
- Finishing: Satin (SSS)



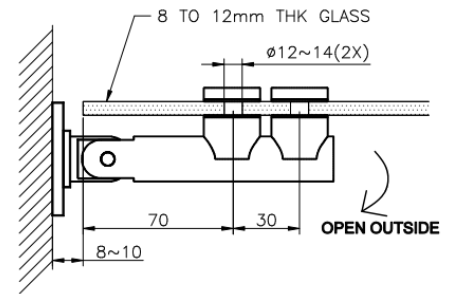
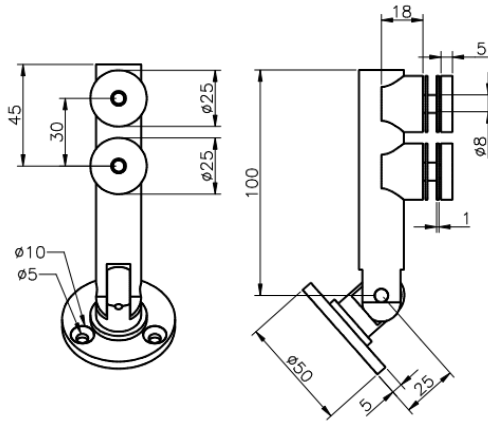
EH-810
(Glass To Wall)



GLASS PREPARATION



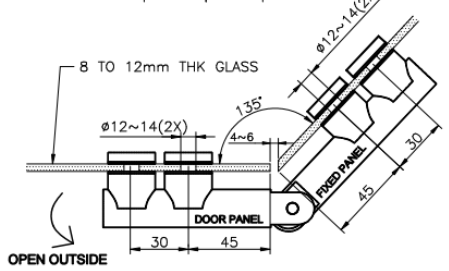
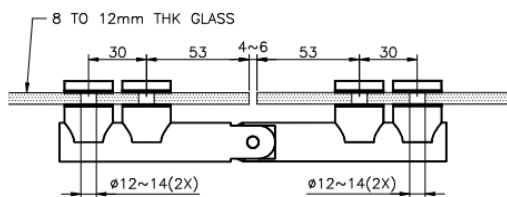
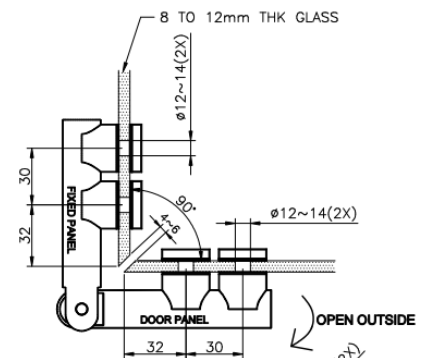
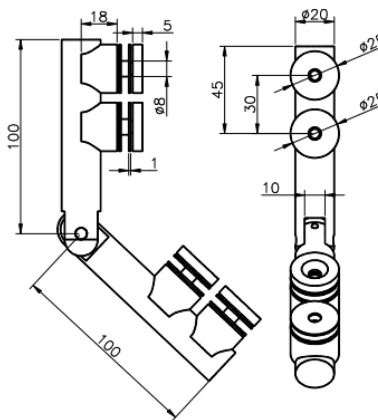
EH-820
(Glass To Wall)



GLASS PREPARATION



EH-830
(Glass To Glass)



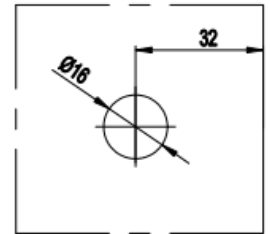
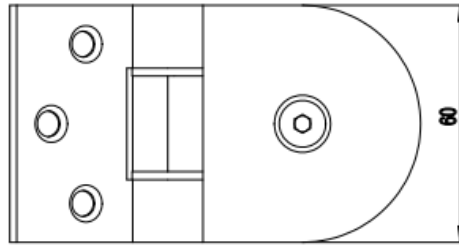
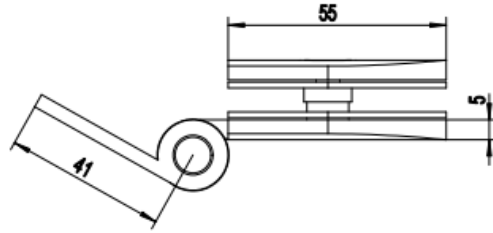
GLASS PREPARATION



EH SERIES SHOWER HINGES

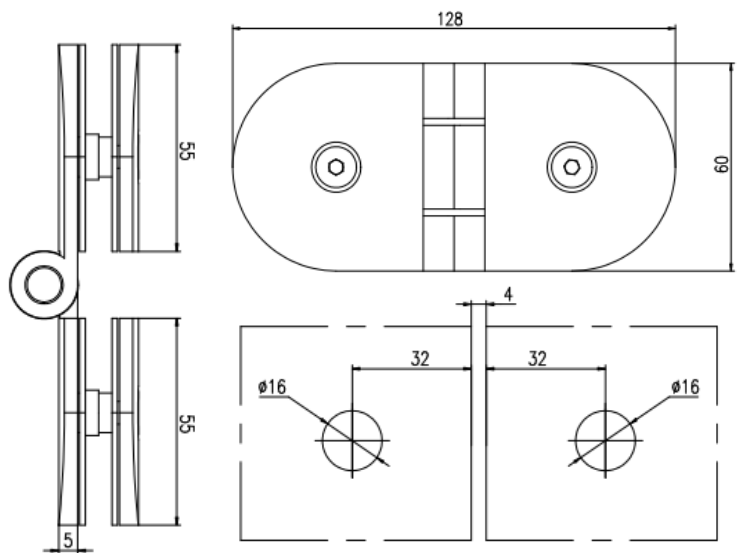
FEATURES

- Max weight per door leaf (2nos of hinges): 20kg
- Glass cut-out is required
- Glass Thickness: 6mm to 8mm
- Material: Solid Brass
- Finishing: Chrome Polish (CP) / Black (BK)



EH-501
Finish: CP / BK
(Glass To Wall)

GLASS PREPARATION



EH-502
Finish: CP / BK
(Glass To Glass)

GLASS PREPARATION



EH SERIES SHOWER HINGES

FEATURES

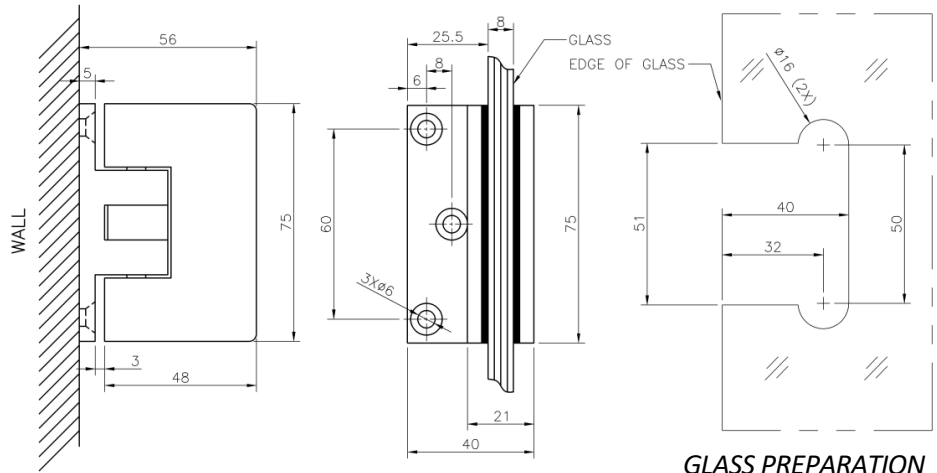
- Max weight per door leaf (2nos of hinges): 40kg
- Glass cut-out is required
- Glass Thickness: 6mm to 8mm
- Material: Solid Brass
- Finishing: Chrome Polish (CP)



EH-110-L

Finish: CP

(Glass To Wall Adjustable Hinge)



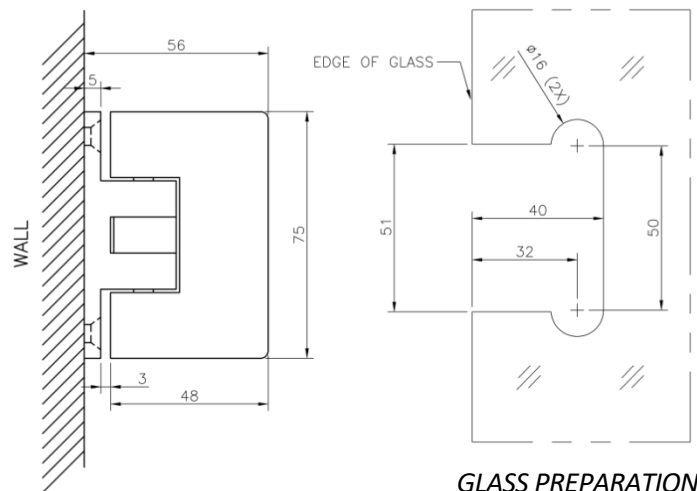
GLASS PREPARATION



EH-110-T

Finish: CP

(Glass To Wall Adjustable Hinge)



GLASS PREPARATION



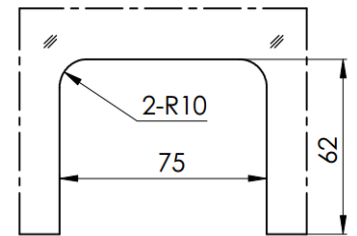
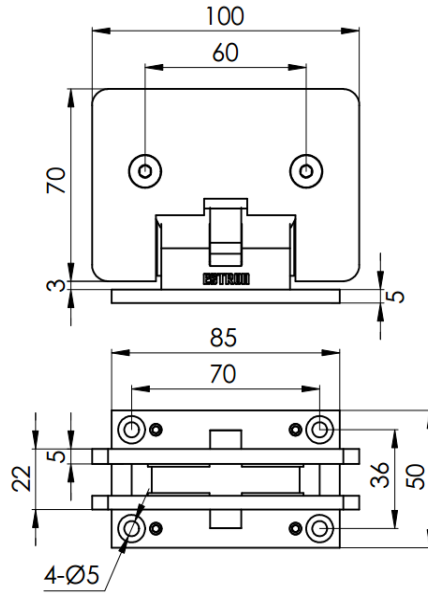
EH SERIES HEAVY DUTY HINGES

FEATURES

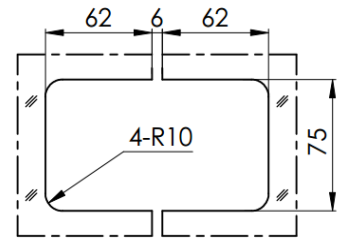
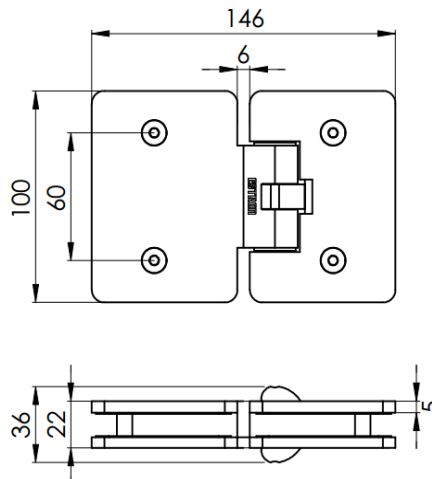
- Max weight per door leaf (2nos of hinges): 65kg
- Glass cut-out is required
- EH-651 Glass Thickness: 8mm to 13.52mm
- EH-652 Glass Thickness: 8mm to 12mm
- Max Door Width: 900mm
- Material: SS 304
- Finishing: Polish (PSS)
- Self-closing function approx. from 80°



EH-651
(Glass To Wall)



EH-652
(Glass To Glass)



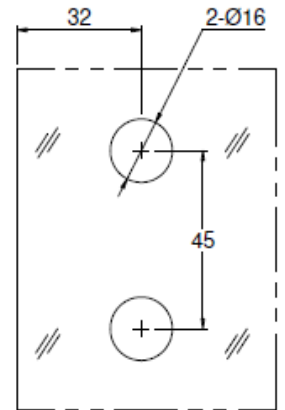
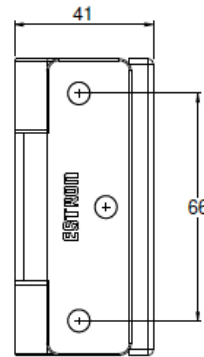
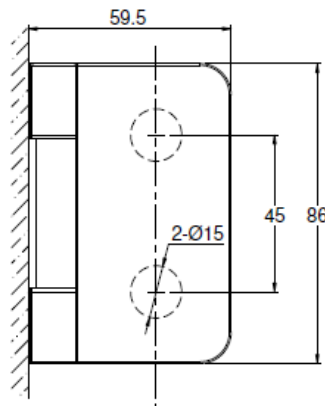


FEATURES

- Max weight per door leaf (2nos of hinges): 60kg
- For frameless & heavy duty interior glass door
- Max door width: 900mm
- Glass cut-out is required
- Glass Thickness: 8mm to 13.52mm
- Material: SS 304
- Finishing: Satin (SSS)

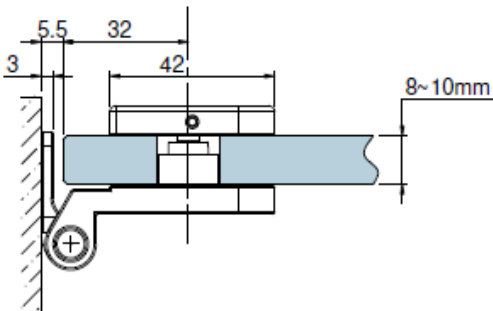


EH-601
(Glass To Wall)

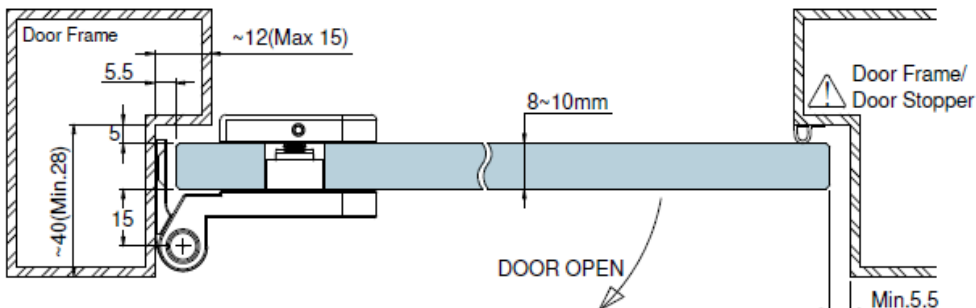


GLASS PREPARATION

TYPE 1: Direct Wall Application



TYPE 2: For Existing Door Framed Mounting





Estron Marketing Pte. Ltd.

141 Woodlands Industrial Park E5 E-terrace Singapore 757507

tel. +65 6853 9041 fax. +65 6853 9042

e-mail. sales@estron.com.sg url. www.estron.com.sg



*Product improvement is a continuous process,
please check specifications at point of purchase.*