



ESTRONTM

ESTRON MARKETING PTE. LTD.

DOOR RAIL SERIES

Quality Architectural Hardware Specialist





DOOR RAIL SYSTEM

ESTRON Door Rail is made-to-measure for heavy duty wide doors. It is a smart mechanical clamp-on rail system which is elegant and easy assembly for quick installation. There are three heights of 38mm (DR-038), 60mm (DR-062), 80mm (DR-80) and 100mm (DR-100) to choose from base of its length and requirement.

It is customized and well equipped with ESTRON fittings according to customer requirements. Fitting offering maximum prevention and effectiveness of the frameless glass door. ESTRON Door Rail comes in single or key alike key cylinder that can be installed in bottom rail.



FEATURES

- Elegant solutions to heavy-duty and wide door
- Strength and security uncompromised
- Glass thickness range from 10mm - 21.52mm
- Customised Built-in Design
- Without bottom track, lower risk of being tripped over, increasing its safety features
- Easy action and installation & short delivery time





TABLE OF CONTENTS

Type of Door Rails	Description	Page
Swing Doors		
DR-100 Swing Door Rail	Door Rails of height 100mm compatible for swing glass door.	3
DR-80 Swing Door Rail	Door Rails of height 80mm compatible for swing glass door	4
Swing Door Accessories	Accessories compatible to DR-100 and Dr-38 for swing door usage.	5, 6
Sliding Doors		
DR-100 Sliding Door Rail	Door Rails of height 100mm compatible for sliding glass door.	7
DR-80 Sliding Door Rail	Door Rails of height 80mm compatible for swing glass door.	8
DR-062 Sliding Door Rail	Sliding Door Top Rails of height 62mm & its compatible sliding systems	9
DR-38 Sliding Door Rail	Sliding Door Top Rails of height 38mm & its compatible sliding systems	10
Heavy Duty Sliding Door Rail System – Up to 300kg	Sliding door system catered for heavy duty doors, PSB tested to British Standards.	11
Sliding Door Accessories	Accessories compatible to DR-100, DR-80, DR-062, DR-38 for sliding door usage.	12
Fixed Panel Rails	Rails used for stabling fixed glass panels	13



DR-100 SWING DOOR RAIL

Standard Components

* specific components vary with the different usage of door rails

Door rail, Rail Cover, Adjustable Top Centre, Bottom Strap, Aluminium End Cap, Patch Locker, Key cylinder (single or key-alike), Cup Keeper

Please specify the followings upon request:

Length of Door Rail

Glass panel width

Glass Thickness

Max. 21.52 mm

Choice of Cover

- Aluminium (hairline finish)
- SUS304 stainless steel (B.A. / SSS finish)
- SUS316 stainless steel (subject to availability)

Application of Door Rail

- Floor spring
- Concealed transom closer
- Free pivot

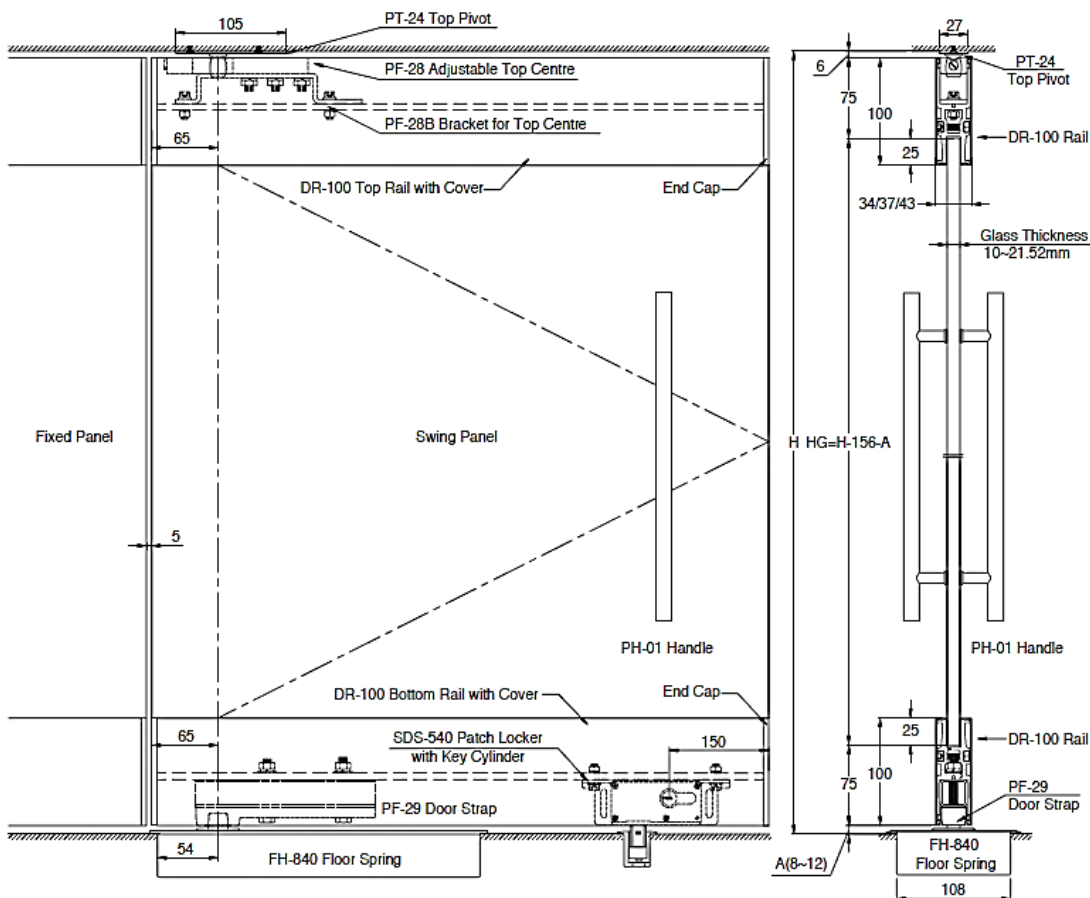
Choice of Locking

- Bottom locking (Standard)
- Sideway locking

Key Combinations

- Independent / Key-alike

ELEVATION DRAWING (c/w Floor Spring & Bottom Locking)





DR-80 SWING DOOR RAIL

Standard Components

* specific components vary with the different usage of door rails

Door rail, Rail Cover, Adjustable Top Centre, Bottom Strap, Aluminium End Cap, Patch Locker, Key cylinder (single or key-alike), Cup Keeper

Please specify the followings upon request:

Length of Door Rail

Glass panel width

Glass Thickness

Max. 12 mm

Choice of Cover

- Aluminium (hairline finish)

Application of Door Rail

- Floor spring
- Concealed transom closer
- Free pivot

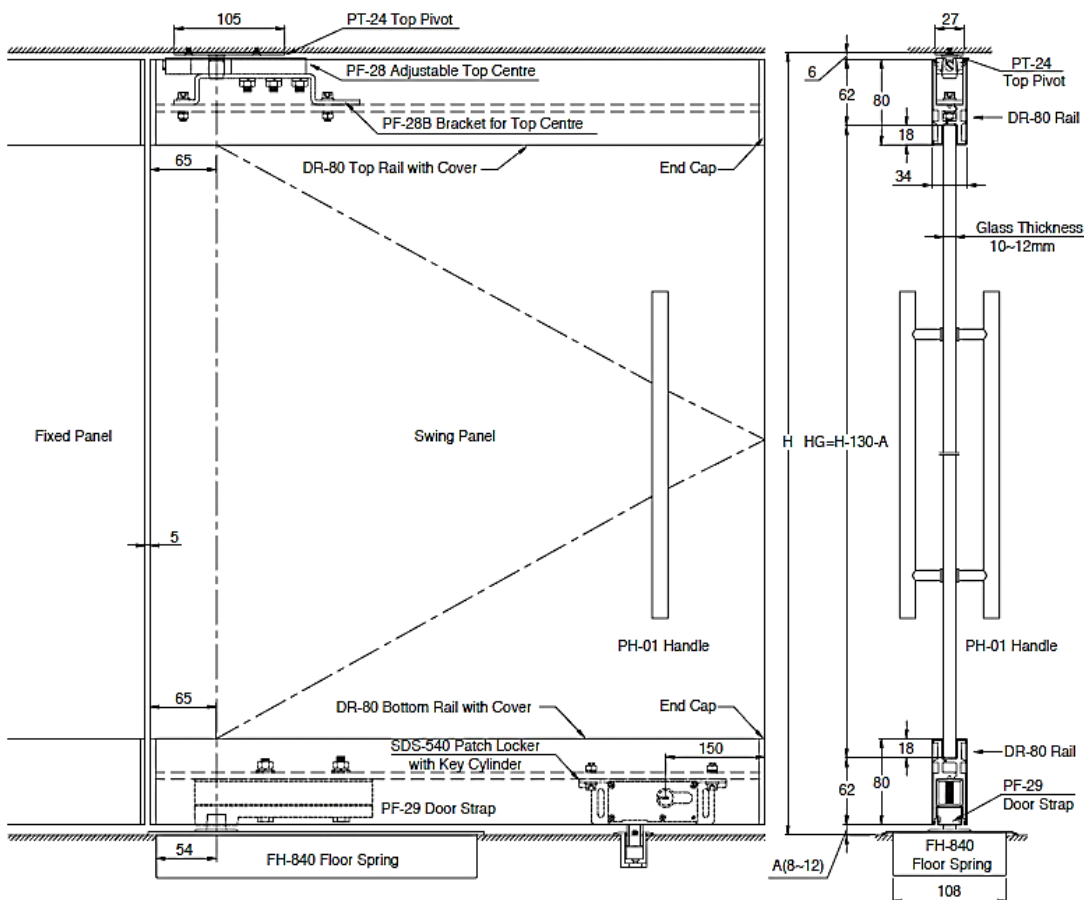
Choice of Locking

- Bottom locking (Standard)
- Sideway locking

Key Combinations

- Independent / Key-alike

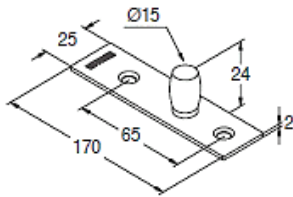
ELEVATION DRAWING (c/w Floor Spring & Bottom Locking)



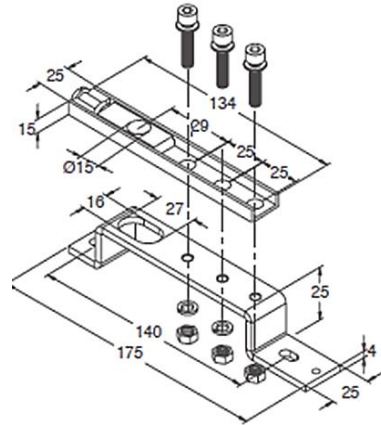


SWING DOOR RAIL ACCESSORIES

TOP RAIL ACCESSORIES



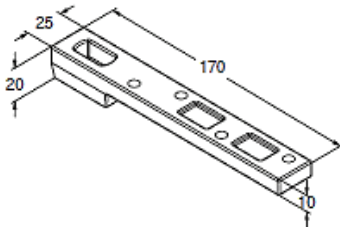
PF-24



PF-28

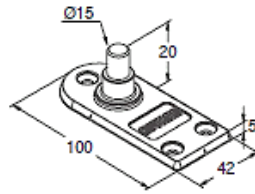
BOTTOM RAIL ACCESSORIES

Door Strap PF-29

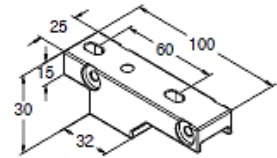


PF-29

Bottom Pivot BP-100-Set

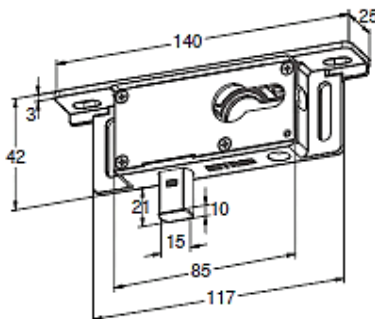


BP-100.02



BP-100.01

Bottom Patch Locker SDS-540

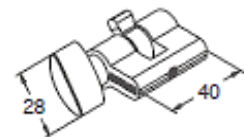


SDS-540

Choice of Key Cylinder



CY-40
Euro Profile Cylinder

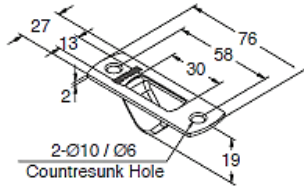


CY-40T
Thumb Turn & Key Cylinder

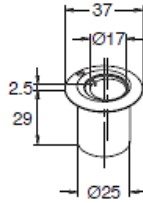


SWING DOOR RAIL ACCESSORIES

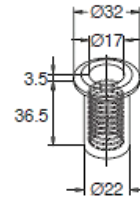
BOTTOM RAIL ACCESSORIES (CONT'D)



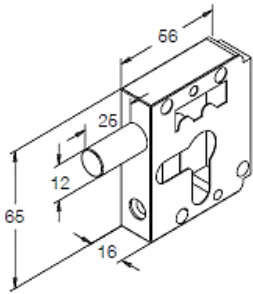
PF-34



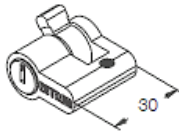
SDS-360-S
(w/o Spring)



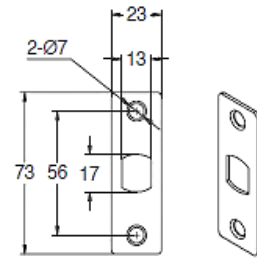
SDS-360B
(c/w Spring)



Sideway Patch Locker
SDS-550

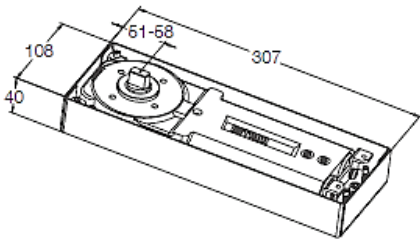


Key Cylinder
CY-30



Strike
Plate

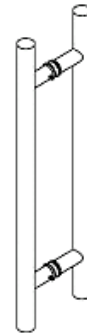
RELATED PRODUCTS



FH-84
Floor Spring



TC-850
Transom Closer



PH-01
Pull Handle



DR-100 SLIDING DOOR RAIL

Standard Components

*specific components vary with the different usage of door rails

Door rail, Rail Cover, Aluminum Track, Carriage Roller, Bracket, Aluminum End Cap, Patch Locker, Key-cylinder (single or key-alike), Cup Keeper, End Stopper

Please specify the followings upon request:

Length of Door Rail

- Glass panel width

Glass Thickness

- Max. 21.52 mm

Choice of Cover

- Aluminium (hairline finish)
- SUS304 Stainless Steel (B.A. / SSS finish)
- SUS316 stainless steel (subjected to availability)

Choice of Sliding System

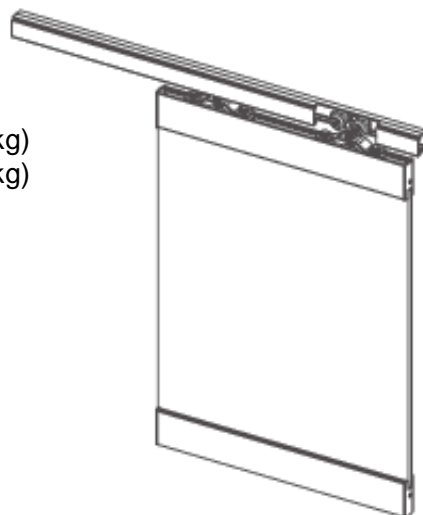
- SDS-150 (Max Weight 150kg)
- SDS-180 (Max Weight 180kg)

Glass Preparation

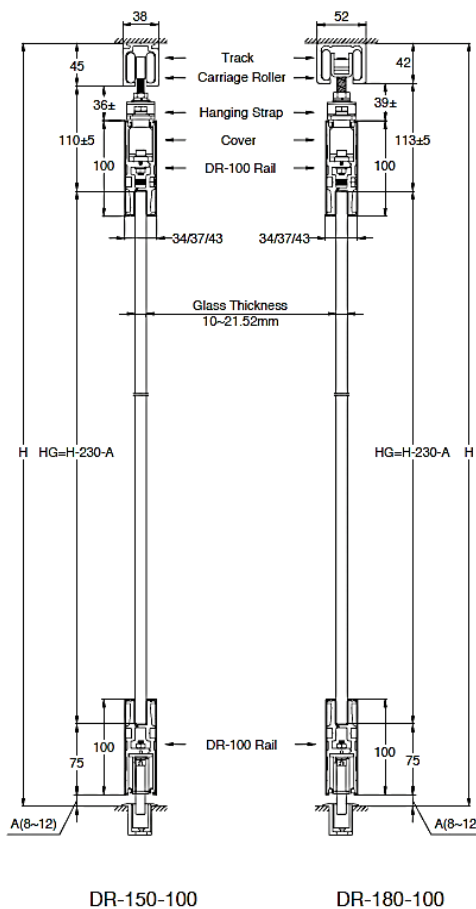
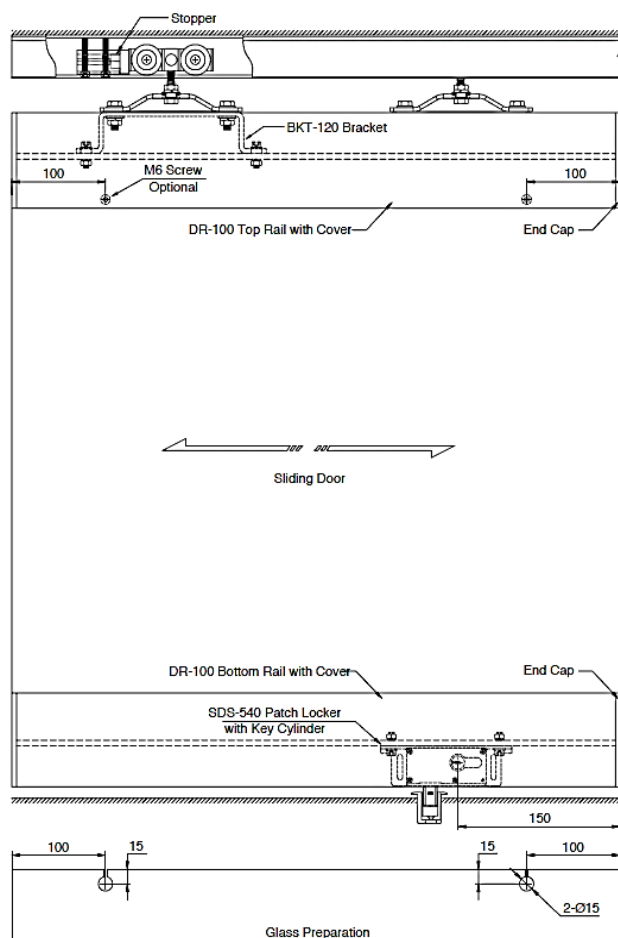
- Required (refer to cut-out bottom left)

Key Combinations

- Independent / Key-alike



ELEVATION DRAWING





DR-80 SLIDING DOOR RAIL

Standard Components

**specific components vary with the different usage of door rails*

Door rail, Rail Cover, Aluminum Track, Carriage Roller, Bracket, Aluminum End Cap, Patch Locker, Key-cylinder (single or key-alike), Cup Keeper, End Stopper.

Please specify the followings upon request:

Length of Door Rail

- Glass panel width

Glass Thickness

- Max. 12 mm

Choice of Cover

- Aluminium (hairline finish)

Choice of Sliding System

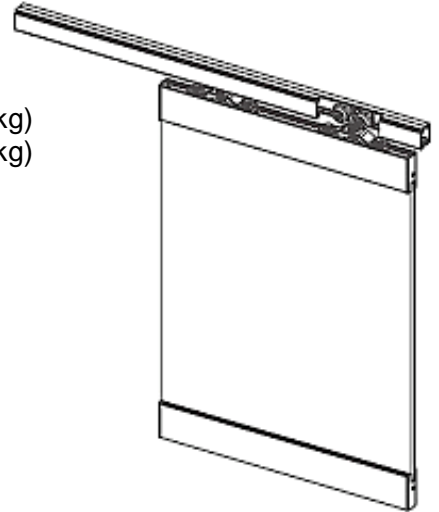
- SDS-150 (Max Weight 150kg)
- SDS-180 (Max Weight 180kg)

Glass Preparation

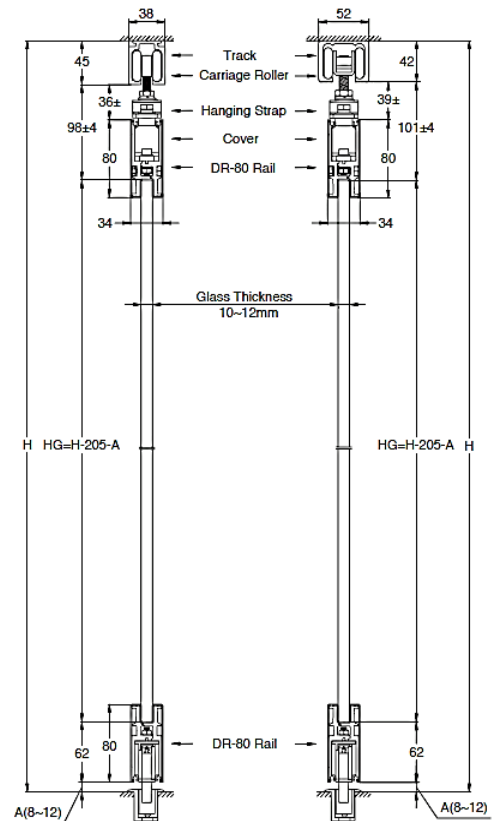
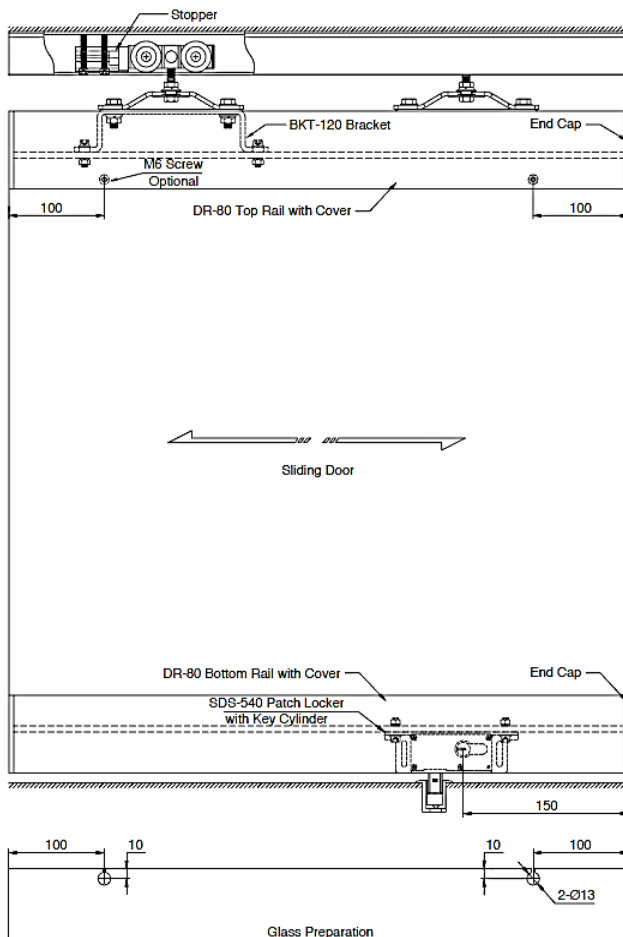
- Required (refer to cut-out bottom left)

Key Combinations

- Independent / Key-alike

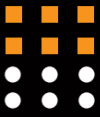


ELEVATION DRAWING



DR-150-80

DR-180-80



DR-62 SLIDING DOOR RAIL

Standard Components

*specific components vary with the different usage of door rails

Door rail, Rail Cover, Aluminum Track, Carriage Roller, Bracket, Aluminum End Cap, End Stopper, Floor Guide.

Please specify the followings upon request:

Length of Door Rail

- Glass panel width

Glass Thickness

- Max. 15.52 mm

Choice of Cover

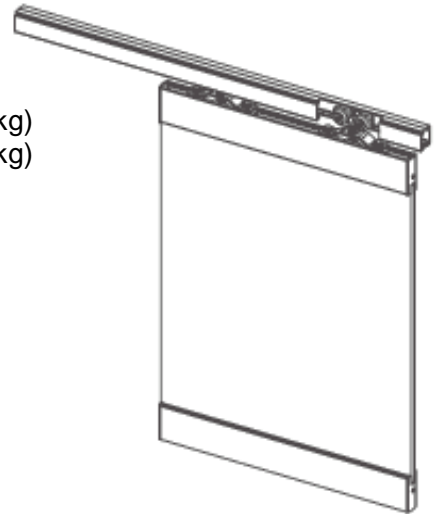
- Aluminium (hairline finish)

Choice of Sliding System

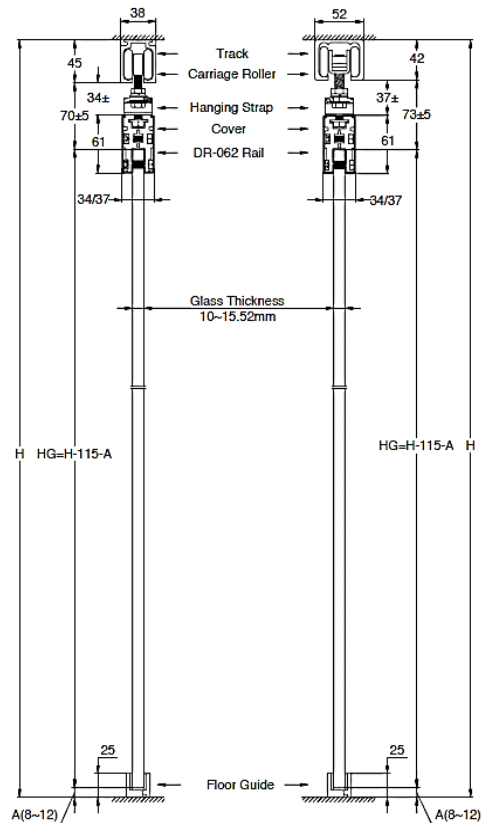
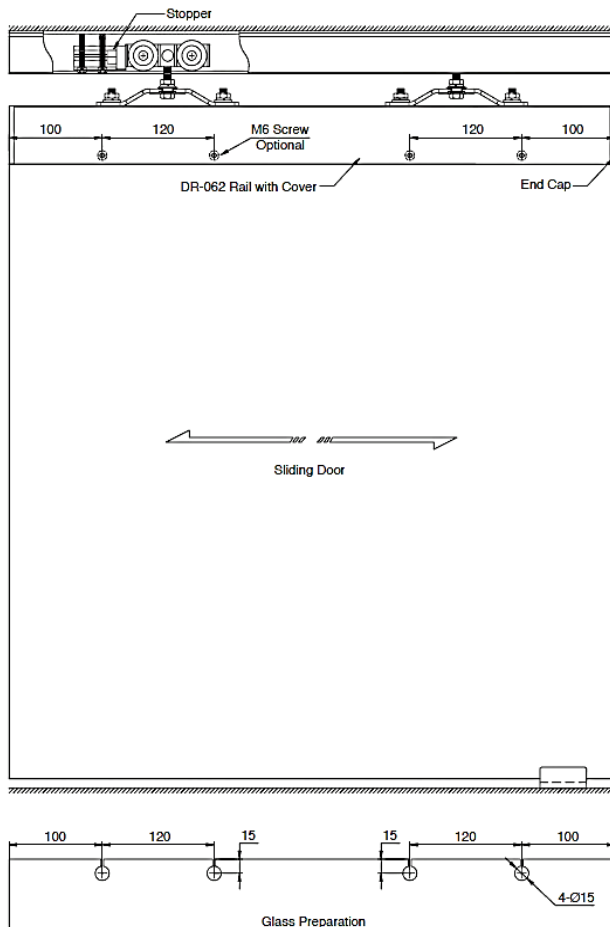
- SDS-150 (Max Weight 150kg)
- SDS-180 (Max Weight 180kg)

Glass Preparation

- Required (refer to cut-out bottom left)



ELEVATION DRAWING



DR-150-062

DR-180-062



DR-38 SLIDING DOOR RAIL

Standard Components

*specific components vary with the different usage of door rails

Door rail, Rail Cover, Aluminum Track, Carriage Roller, Wall Bracket, Aluminum End Cap, End Stopper, Floor Guide.

Please specify the followings upon request:

Length of Door Rail

- Glass panel width

Glass Thickness

- Max. 13.52 mm

Glass Height

- Optimal < 3m

Choice of Cover

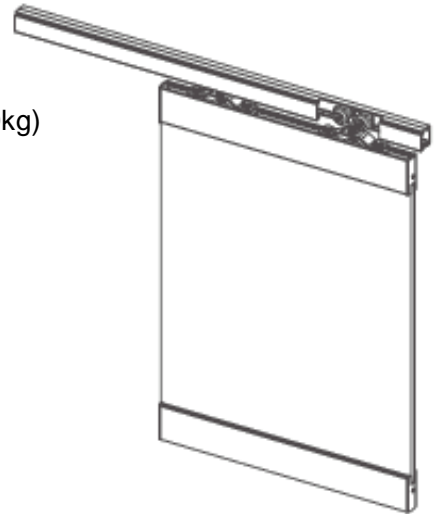
- Aluminium (hairline finish)

Choice of Sliding System

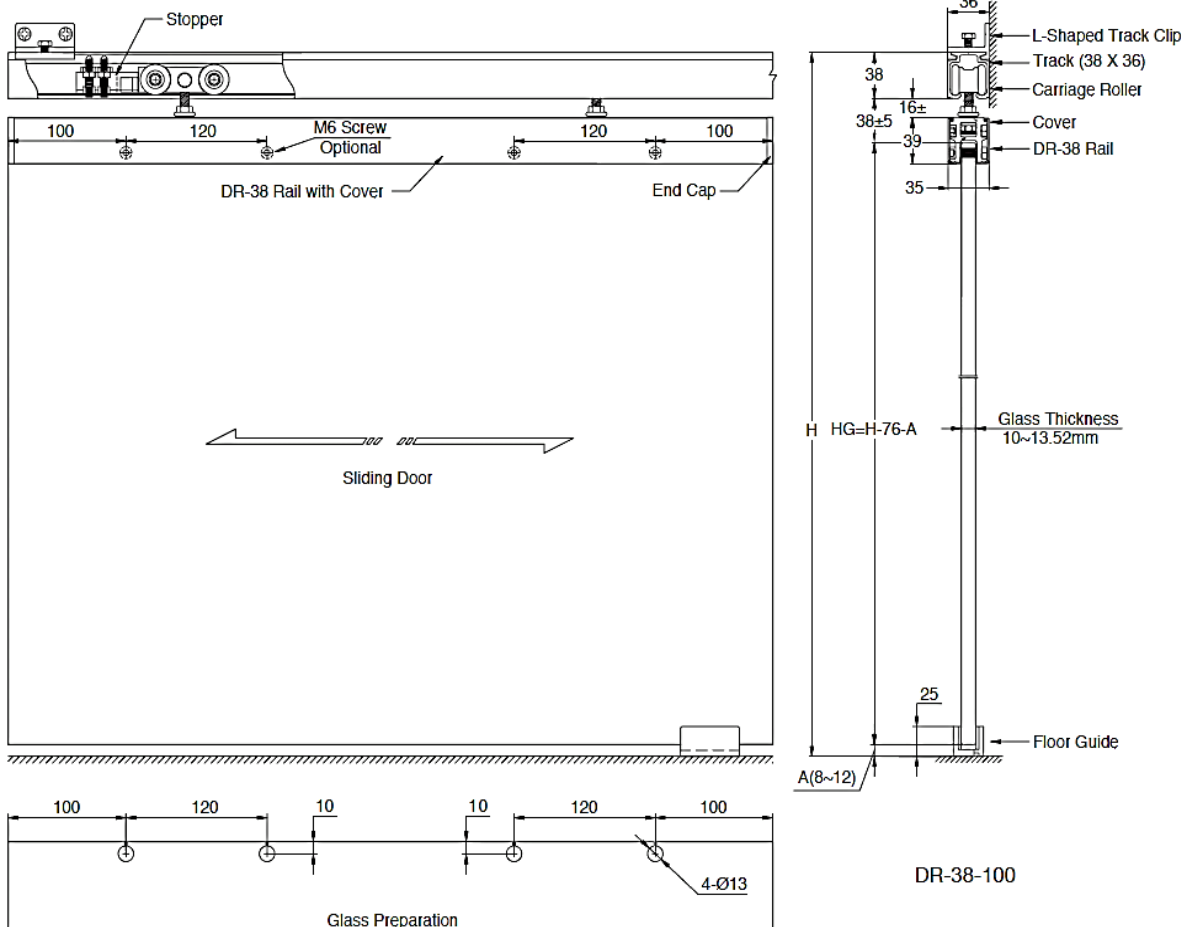
- SDS-100 (Max. Weight 100kg)

Glass Preparation

- Required (refer to cut-out bottom left)



ELEVATION DRAWING





HEAVY DUTY 300KG SLIDING DOOR RAIL

Standard Components

*specific components vary with the different usage of door rails

Door rail, Rail Cover, Aluminum Track, Carriage Roller, Clamp Bracket, Aluminum End Cap, End Stopper, Floor Guide.

Please specify the followings upon request:

Length of Door Rail

- Glass panel width

Glass Thickness

- Max. 15.52 mm

Choice of Cover

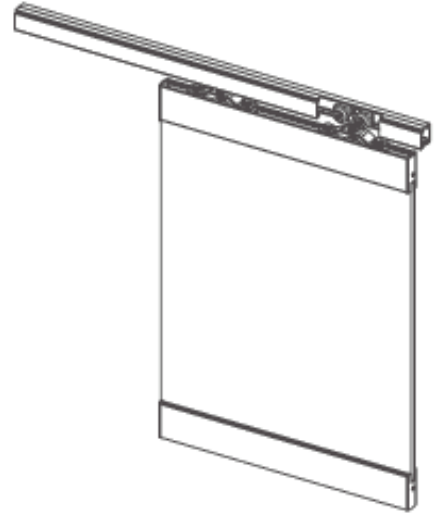
- Aluminium (hairline finish)

Choice of Sliding System

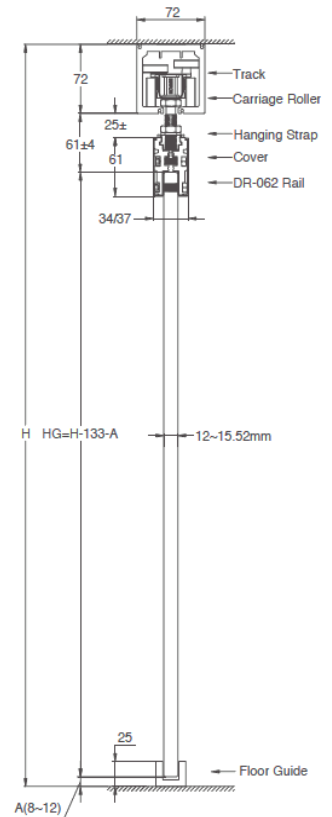
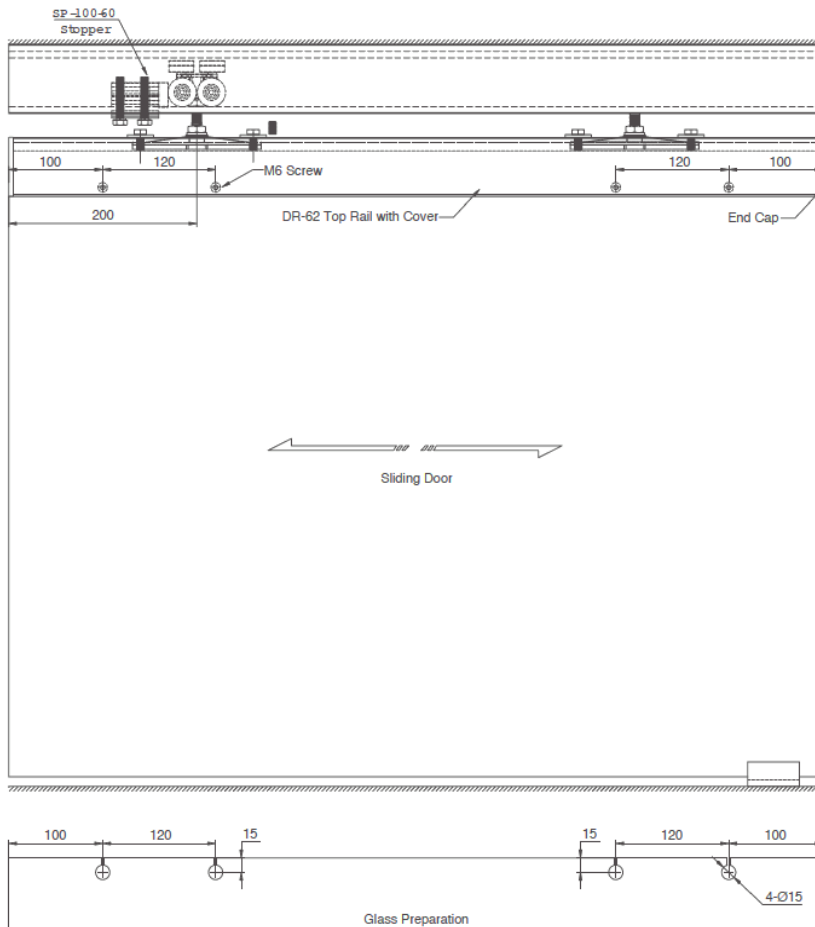
- SS-100 Top Hug Track
- SS-100 Carriage Rollers
- DR-062 Glass Clamp

Glass Preparation

- Required (refer to cut-out bottom left)



ELEVATION DRAWING

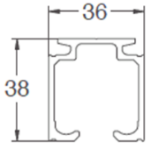


SDS-300

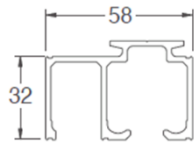


SLIDING DOOR RAIL ACCESSORIES

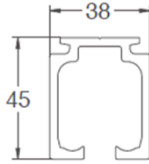
ALUMINIUM TRACK



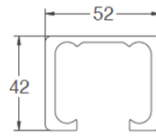
RT-1200



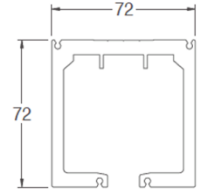
RT-1220



RT-1500

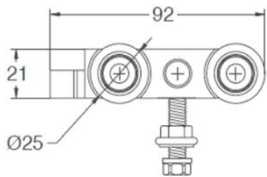


RT-1800

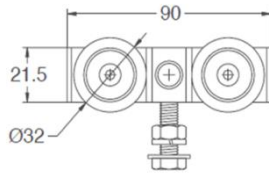


SDS-100.SS.N

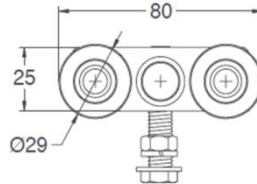
CARRIAGE ROLLER



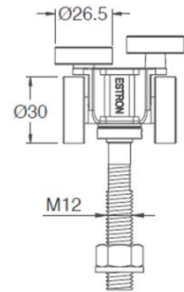
SDS-100-CR



SDS-150-CR



SDS-180-CR

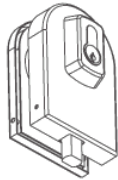


CR-100.SS

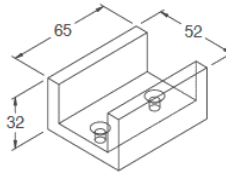
RELATED PRODUCTS



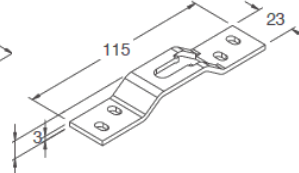
SDH-050



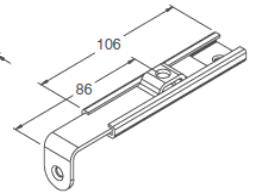
PL-34R



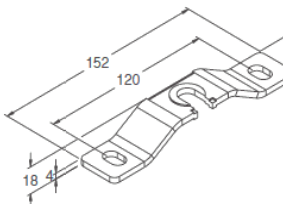
FG-35



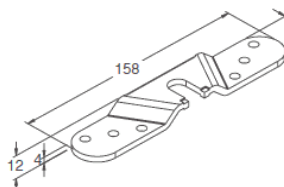
SDS-090-B1



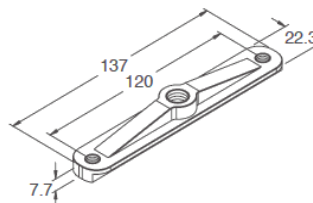
SDS-090-B2



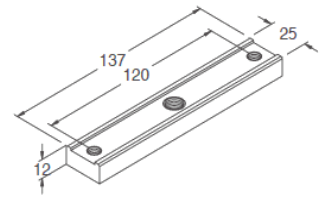
SDS-150-B



SDS-150-BW



DR-062.5.B



DR-062.5.BW



FIXED PANEL RAILS

The choice of using door rail for fixed panel eliminates the cumbersome work done for embedding fixed glass panels and provides an easy installation process. Door rails on fixed glass panel also give an aesthetically pleasing physical look on the system.

Please specify the followings upon request:

Length of Door Rail

- Glass panel width

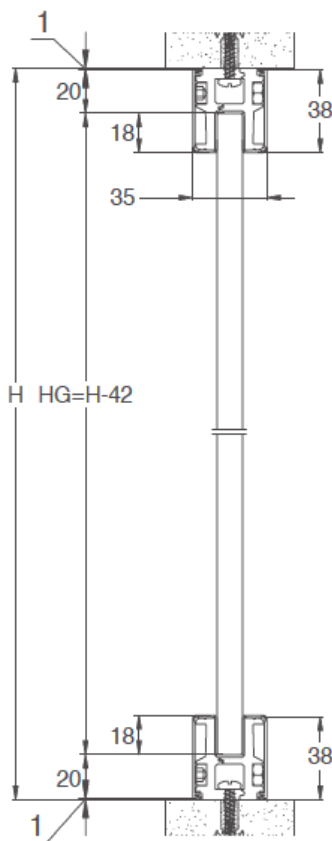
Glass Thickness

- 10 or 12 mm

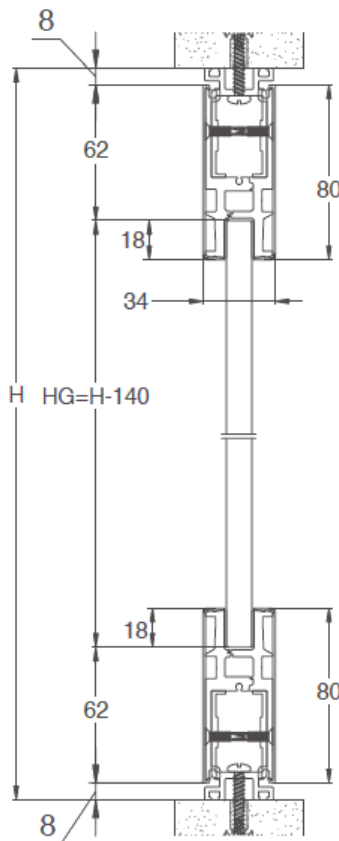
Choice of Cover

- Aluminium (hairline finishing) for DR-100 / DR-80 / DR-38
- SUS304 stainless steel (B.A. / SSS finishing) for DR-100 only
- SUS316 stainless steel (subject to availability) for DR-100 only

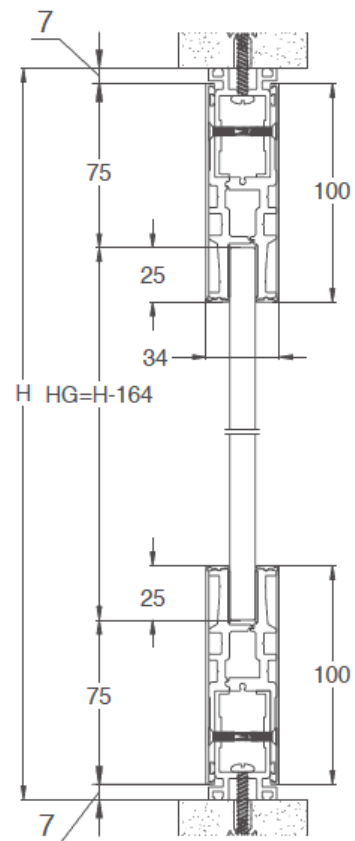
ELEVATION DRAWING



DR-38



DR-80



DR-100



Estron Marketing Pte. Ltd.

141 Woodlands Industrial Park E5 E-terrace Singapore 757507

tel. +65 6853 9041 fax. +65 6853 9042

e-mail. sales@estron.com.sg url. www.estron.com.sg



*Product improvement is a continuous process,
please check specifications at point of purchase.*