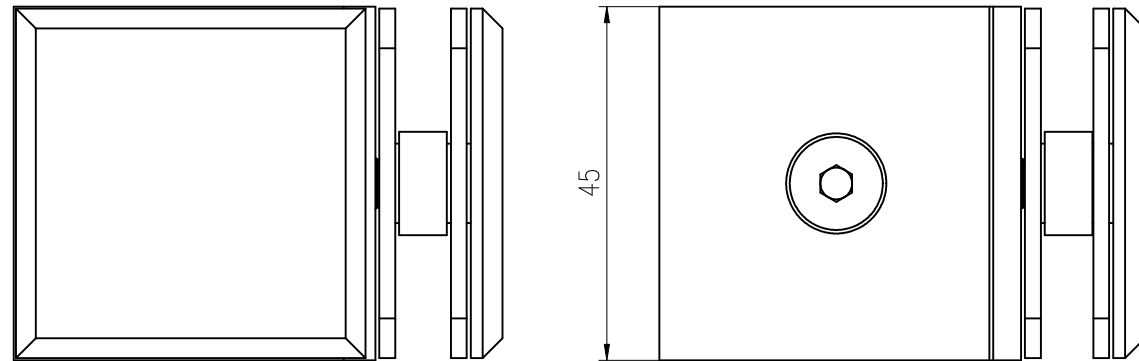
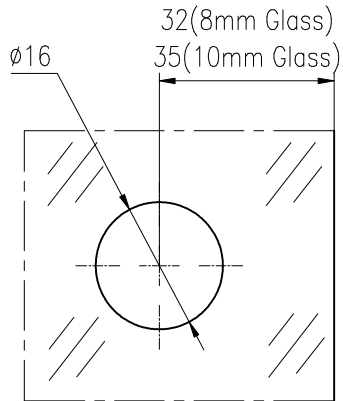


GLASS PREPARATION



ESTRON MARKETING PTE. LTD.
 141, Woodlands Industrial Park E5,
 E-Terrace, Singapore 757507
 Tel: 6853 9041
 Fax: 6853 9042
 Email: sales@estron.com.sg

PROPRIETARY AND CONFIDENTIAL

THE INFORMATION CONTAINED IN THIS DRAWING IS THE SOLE PROPERTY OF ESTRON MARKETING PTE LTD. ANY REPRODUCTION IN PART OR AS A WHOLE WITHOUT WRITTEN PERMISSION OF ESTRON MARKETING PTE LTD IS PROHIBITED

MATERIAL	Brass
FINISH	Chrome
QTY:	1PC

DIMENSION IN MM	
-----------------	--

DRAWN BY	
APPRV BY	
DATE	07/02/2014

TITLE	SSA-940	
DWG. No.	SSA-940	SCALE N.T.S
PROJ No.		