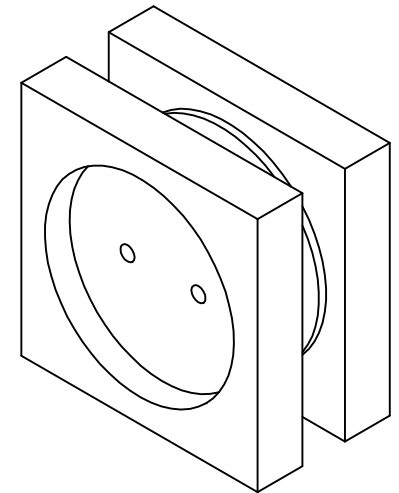


GLASS PREPARATION



ESTRON MARKETING PTE. LTD.  
 141, Woodlands Industrial Park E5,  
 E-Terrace, Singapore 757507  
 Tel: 6853 9041  
 Fax: 6853 9042  
 Email: sales@estron.com.sg

**PROPRIETARY AND CONFIDENTIAL**

THE INFORMATION CONTAINED IN THIS DRAWING IS THE SOLE PROPERTY OF ESTRON MARKETING PTE LTD. ANY REPRODUCTION IN PART OR AS A WHOLE WITHOUT WRITTEN PERMISSION OF ESTRON MARKETING PTE LTD IS PROHIBITED

MATERIAL	SUS304
FINISH	PSS
QTY:	1PC

DIMENSION IN MM	
-----------------	--

DRAWN BY	
APPRV BY	
DATE	09/11/2011

TITLE	SDH-040	
DWG. No.	SDH-040	SCALE N.T.S
PROJ No.		