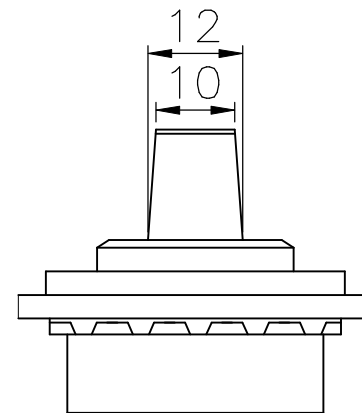
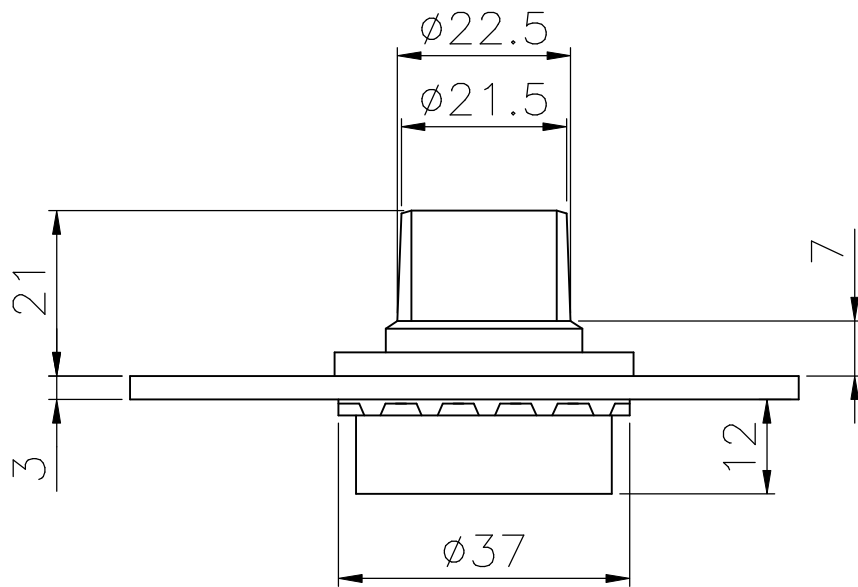
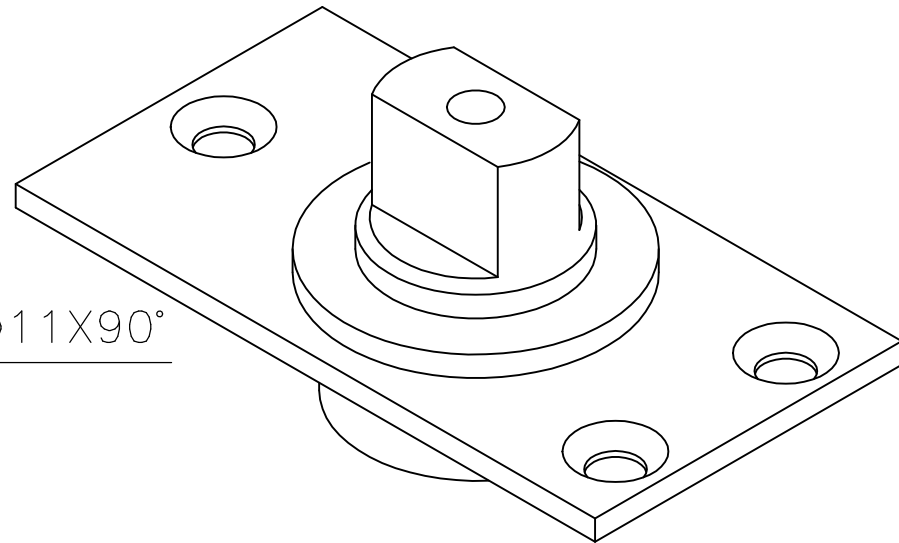


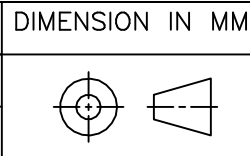
3X ϕ 6.5 $\sqrt{\phi$ 11X90°



ESTRON MARKETING PTE. LTD.
 141, Woodlands Industrial Park E5,
 E-Terrace, Singapore 757507
 Tel: 6853 9041
 Fax: 6853 9042
 Email: sales@estron.com.sg

PROPRIETARY AND CONFIDENTIAL
 THE INFORMATION CONTAINED IN THIS DRAWING IS THE SOLE PROPERTY OF ESTRON MARKETING PTE LTD. ANY REPRODUCTION IN PART OR AS A WHOLE WITHOUT WRITTEN PERMISSION OF ESTRON MARKETING PTE LTD IS PROHIBITED

MATERIAL	SUS304
FINISH	SSS
QTY:	1PC



DRAWN BY	
APPRV BY	
DATE	05/09/2011

TITLE	FP-44
DWG. No.	FP-44
PROJ No.	

SCALE 1:1