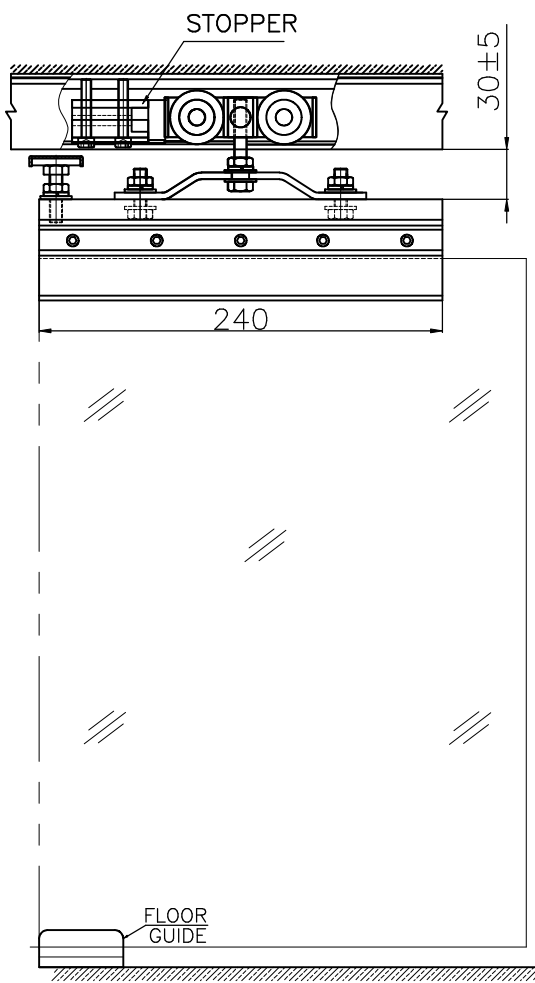
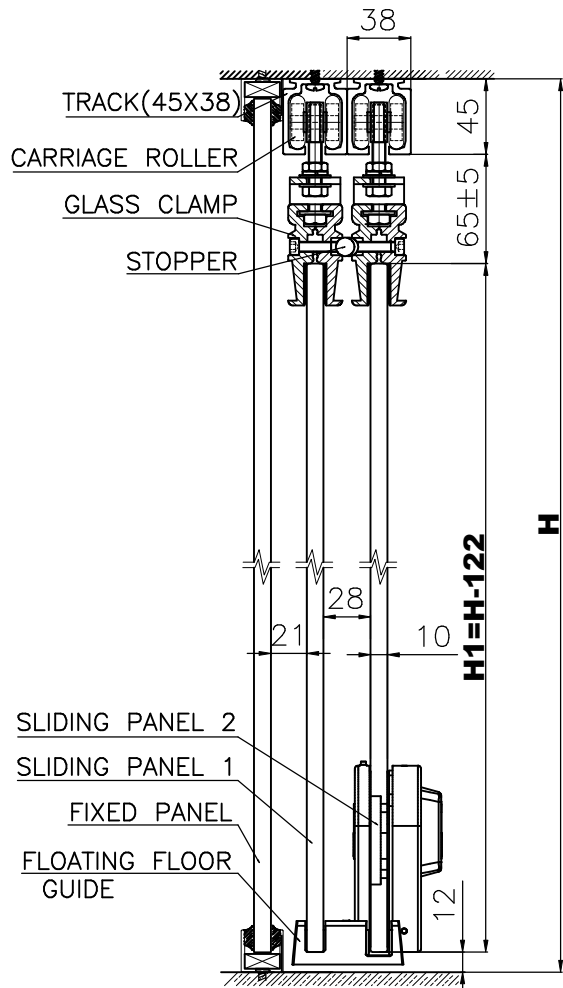


ST-150 SLIDING DOOR SYSTEM Side View 2 Sliding Panels+PL34R(Overlap 140)

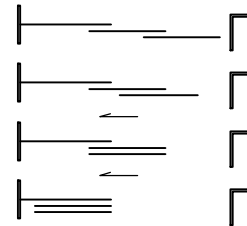
QUALITY ARCHITECTURAL HARDWARE SPECIALIST: FLOOR SPRING, PATCH FITTING, STAINLESS STEEL PULL HANDLE, DOOR KNOB, SHOWER HINGE, LIP SHAPED SEAL, SLIDING DOOR GEAR, FOLDING DOOR GEAR, SLIDING STACK OR SLIDING FLOODING MULTI-DIRECTIONAL ROOM DIVIDING SYSTEM



SECTION DETAIL



Height of Sliding Panel:
 $H1 = H - (110 + 12)$
 $H = \text{Floor to Ceiling Height}$
 $H1 = \text{Glass Height of Sliding Panel}$



GLASS CLAMP POSITION (WITH STOPPER)

