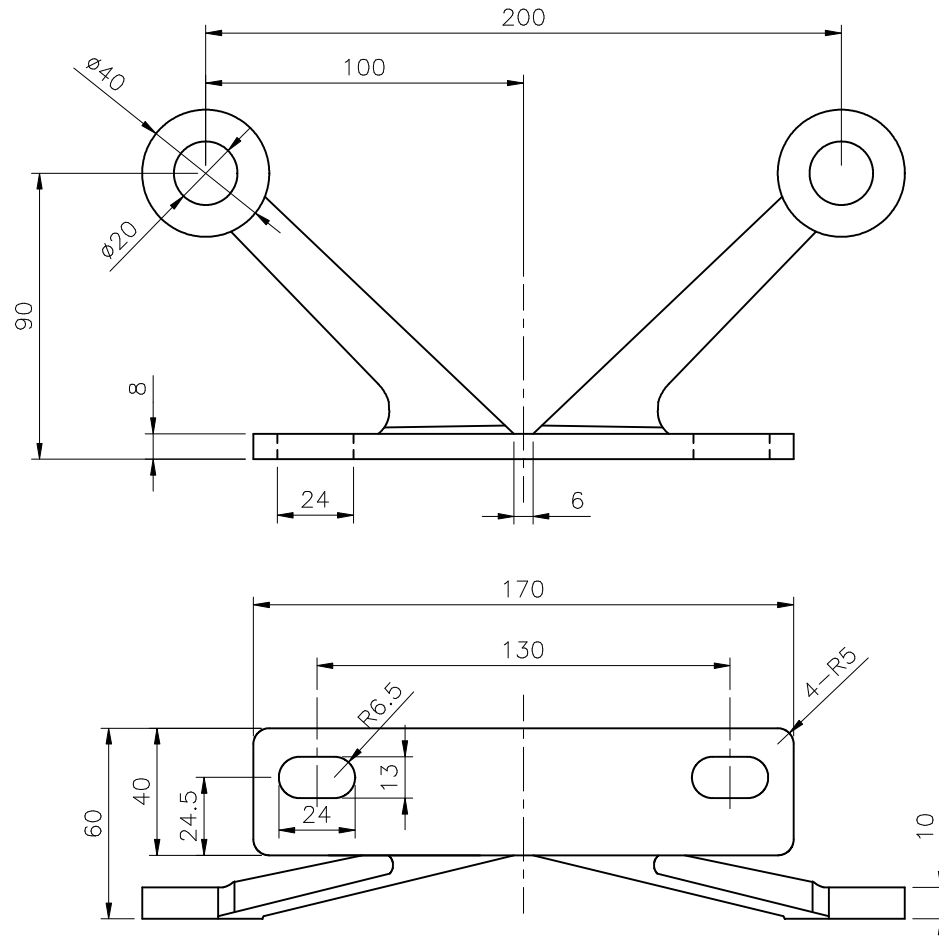


**SP200-4W Complete Set**

200mm c/c



**ESTRON MARKETING PTE. LTD.**  
 BLK 22, WOODLAND LINK #03-07,  
 Singapore 738734  
 Tel: 6853 9041  
 Fax: 6853 9042  
 Email: [estron@singnet.com.sg](mailto:estron@singnet.com.sg)

**PROPRIETARY AND CONFIDENTIAL**

THE INFORMATION CONTAINED IN THIS DRAWING IS THE SOLE PROPERTY OF ESTRON MARKETING PTE LTD. ANY REPRODUCTION IN PART OR AS A WHOLE WITHOUT WRITTEN PERMISSION OF ESTRON MARKETING PTE LTD IS PROHIBITED

MATERIAL	SUS316
FINISH	SSS
QTY:	1PC

DIMENSION IN MM	
-----------------	--

DRAWN BY	
APPRV BY	
DATE	2/4/2012

TITLE	SP200-4W	
DWG. No.	SP200-4W	SCALE N.T.S
PROJ No.		