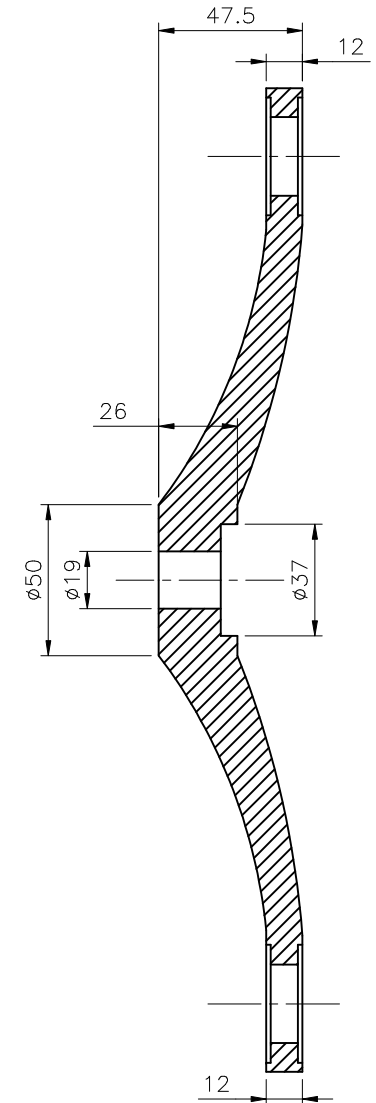
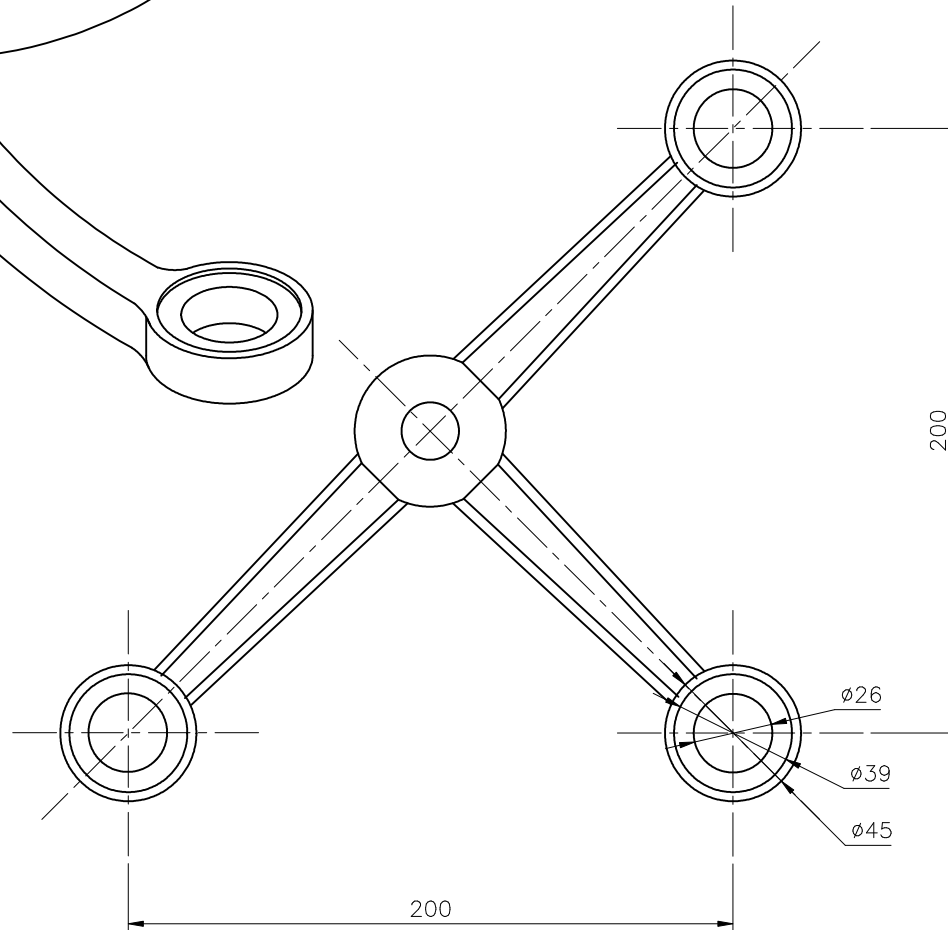
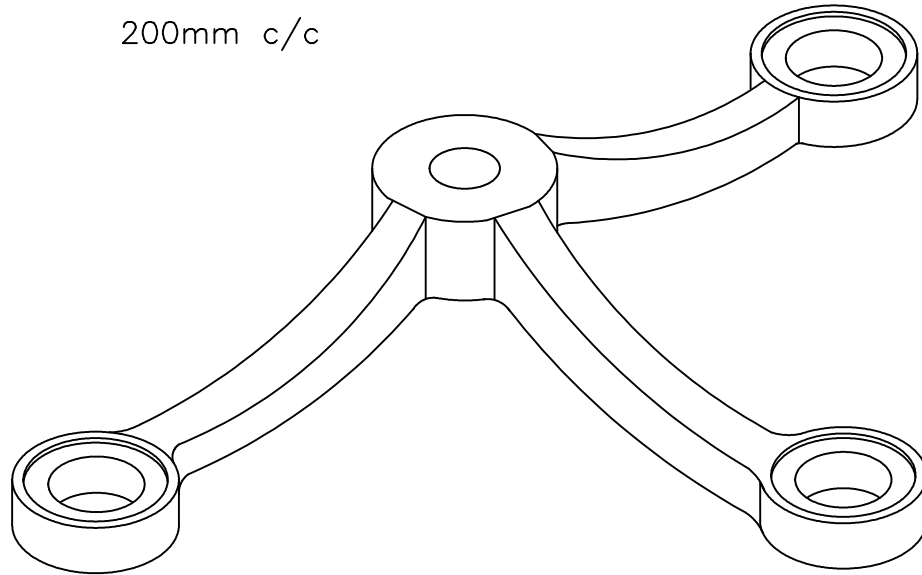


200mm c/c



**ESTRON MARKETING PTE. LTD.**  
 141, Woodlands Industrial Park E5,  
 E-Terrace, Singapore 757507  
 Tel: 6853 9041  
 Fax: 6853 9042  
 Email: [estron@singnet.com.sg](mailto:estron@singnet.com.sg)

**PROPRIETARY AND CONFIDENTIAL**  
 THE INFORMATION CONTAINED IN THIS DRAWING  
 IS THE SOLE PROPERTY OF ESTRON MARKETING  
 PTE LTD. ANY REPRODUCTION IN PART OR AS A  
 WHOLE WITHOUT WRITTEN PERMISSION OF ESTRON  
 MARKETING PTE LTD IS PROHIBITED

MATERIAL	SUS316
FINISH	SSS
QTY:	1PC

DIMENSION IN MM

DRAWN BY	
APPRV BY	
DATE	4/8/2011

TITLE	SP200-3	
DWG. No.	SP200-3	SCALE 2:5
PROJ No.		