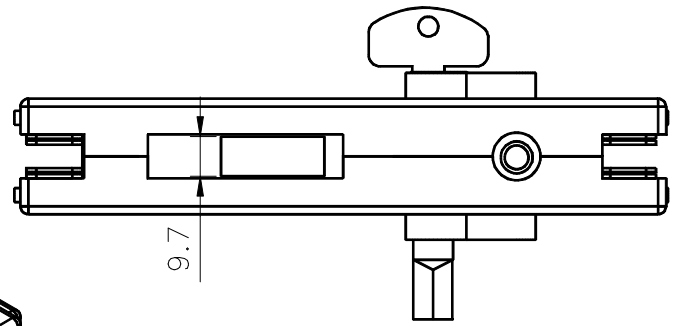
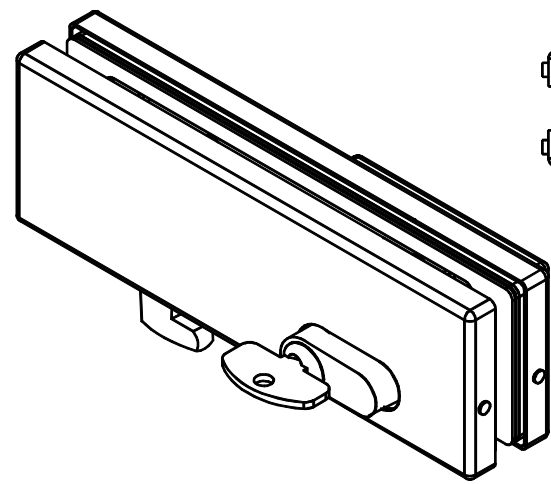


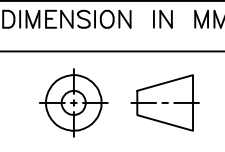
GLASS PREPARATION
(N.T.S)



ESTRON MARKETING PTE. LTD.
141, Woodlands Industrial Park E5,
E-Terrace, Singapore 757507
Tel: 6853 9041
Fax: 6853 9042
Email: sales@estron.com.sg

PROPRIETARY AND CONFIDENTIAL
THE INFORMATION CONTAINED IN THIS DRAWING IS THE SOLE PROPERTY OF ESTRON MARKETING PTE LTD. ANY REPRODUCTION IN PART OR AS A WHOLE WITHOUT WRITTEN PERMISSION OF ESTRON MARKETING PTE LTD IS PROHIBITED

MATERIAL	SS304
FINISH	PSS
QTY:	1PC



DRAWN BY
APPRV BY
DATE
19/04/2014

TITLE	SL-50	
DWG. No.	SL-50	SCALE N.T.S
PROJ No.		