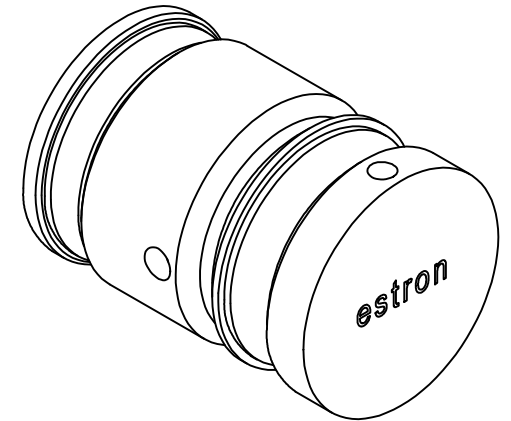
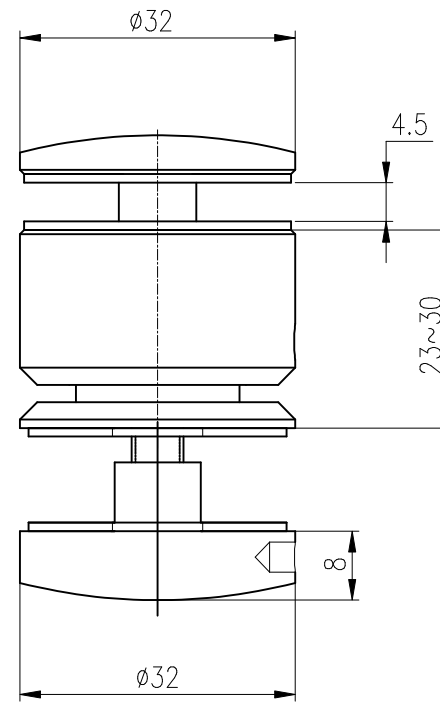
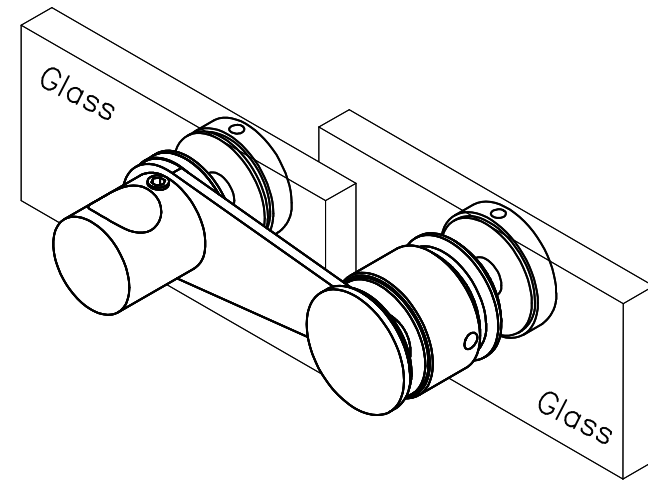


SL-403-L/R

SL-403-HG

GLASS PREPARATION

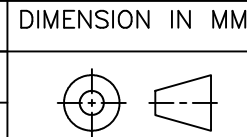


SL-403-HG

ESTRON MARKETING PTE. LTD.
 141, Woodlands Industrial Park E5,
 E-Terrace, Singapore 757507
 Tel: 6853 9041
 Fax: 6853 9042
 Email: sales@estron.com.sg

PROPRIETARY AND CONFIDENTIAL
 THE INFORMATION CONTAINED IN THIS DRAWING
 IS THE SOLE PROPERTY OF ESTRON MARKETING
 PTE LTD. ANY REPRODUCTION IN PART OR AS A
 WHOLE WITHOUT WRITTEN PERMISSION OF ESTRON
 MARKETING PTE LTD IS PROHIBITED

MATERIAL Brass
 FINISH Chrome
 QTY: 1PC



DRAWN BY
 APPRV BY
 DATE 17/03/2014

TITLE SL-403HG
 DWG. No. SL-403HG SCALE N.T.S
 PROJ No.