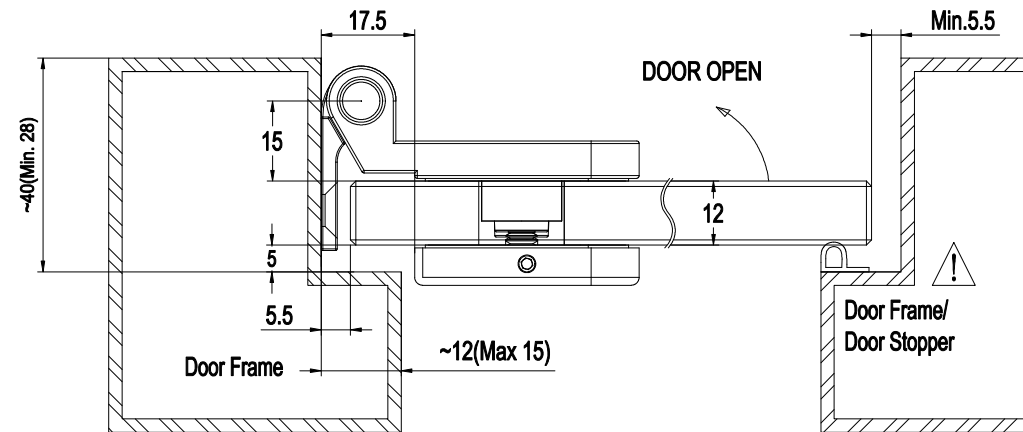
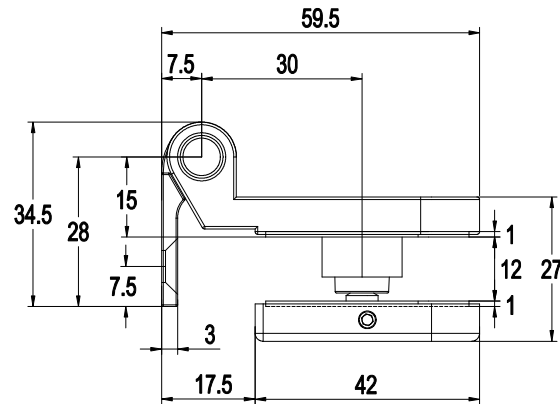
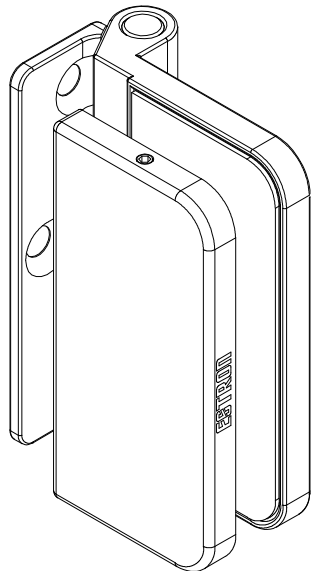


GLASS PREPARATION



Maximum Door Weight: 60kg per 2 hinges
Maximum Door Width: 900mm

⚠ Door Frame/Door Stopper must be applied



PROPRIETARY AND CONFIDENTIAL

CONSTANT PRODUCT DEVELOPMENT AND ENHANCEMENT IS OUR COMPANY POLICY. THEREFORE, SPECIFICATIONS AND DETAILS CONTAINED IN THIS DRAWING MAY BE ALTERED WITHOUT PRIOR NOTICE. THIS DRAWING IS THE SOLE PROPERTY OF ESTRON MARKETING PTE LTD, WITHOUT WRITTEN CONSENT, REPRODUCTION AND DISSEMINATION OF ANY PARTS OF THIS DRAWING IS STRICTLY PROHIBITED.

MATERIAL:	SUS304	APPRV BY:		DIMENSION IN MM	PROJECTION:	TITLE:	WALL Mounted Hinge	
FINISH:	SSS	DRAWN BY:		X.X	±0.10	SCALE:	N.T.S	DWG. No.:
QTY:	1	WEIGHT:	kg	X.XX	±0.05	DATE:	09/06/2017	EH-601
				ANGULAR	±1°	PROJ No.:	EH-600 Series Stainless Steel Hinge	