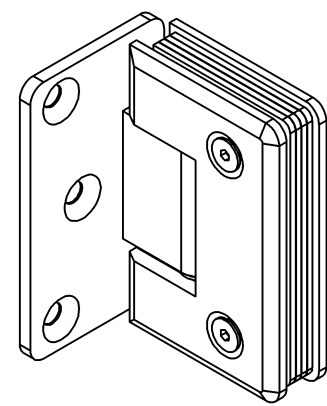


GLASS PREPARATION



ESTRON MARKETING PTE. LTD. 141, Woodlands Industrial Park E5, E-Terrace, Singapore 757507 Tel: 6853 9041 Fax: 6853 9042 Email: estron@singnet.com.sg	PROPRIETARY AND CONFIDENTIAL THE INFORMATION CONTAINED IN THIS DRAWING IS THE SOLE PROPERTY OF ESTRON MARKETING PTE LTD. ANY REPRODUCTION IN PART OR AS A WHOLE WITHOUT WRITTEN PERMISSION OF ESTRON MARKETING PTE LTD IS PROHIBITED	MATERIAL	DIMENSION IN MM	DRAWN BY	TITLE EH-100L	
		FINISH		APPRV BY	DWG. No. EH-100L	SCALE N.T.S
		QTY: 1PC		DATE 6/9/2011	PROJ No.	