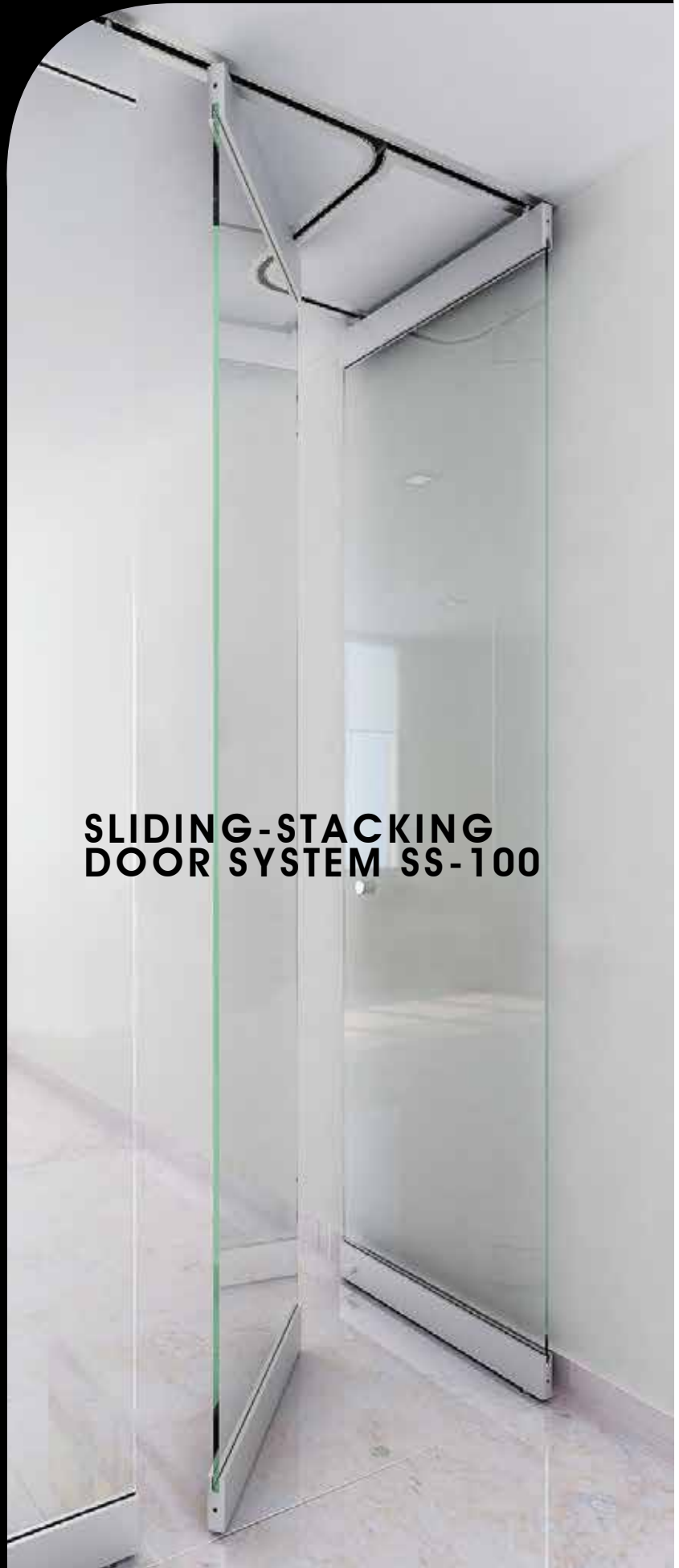


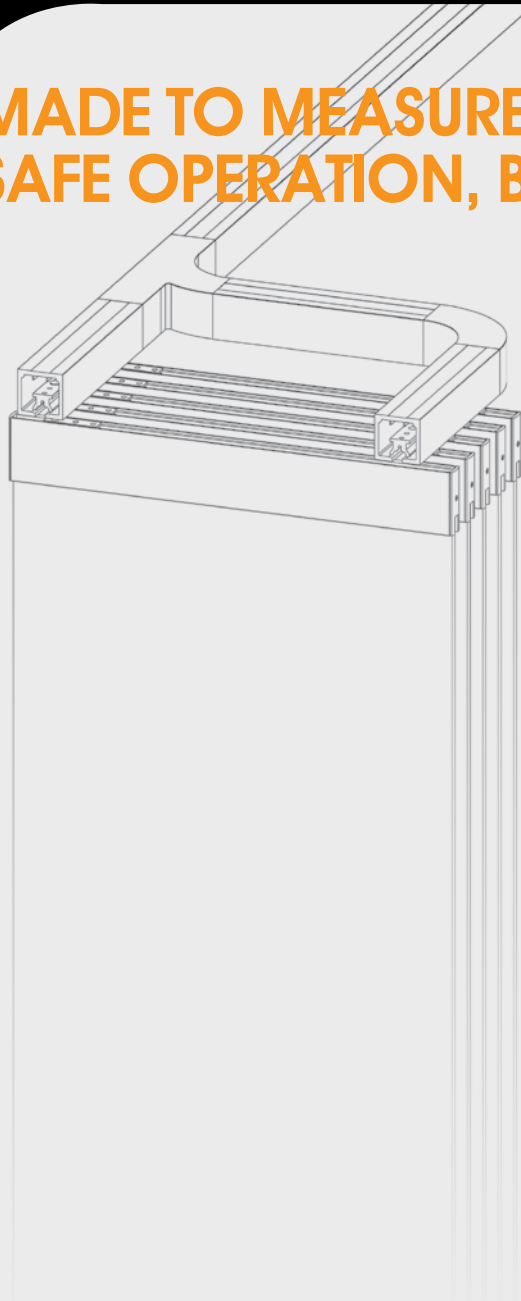
ESTRON
MARKETING PTE. LTD.


ESTRONTM

**SLIDING-STACKING
DOOR SYSTEM SS-100**



MADE TO MEASURE OPTIONS, SAFE OPERATION, BETTER USER COMFORT



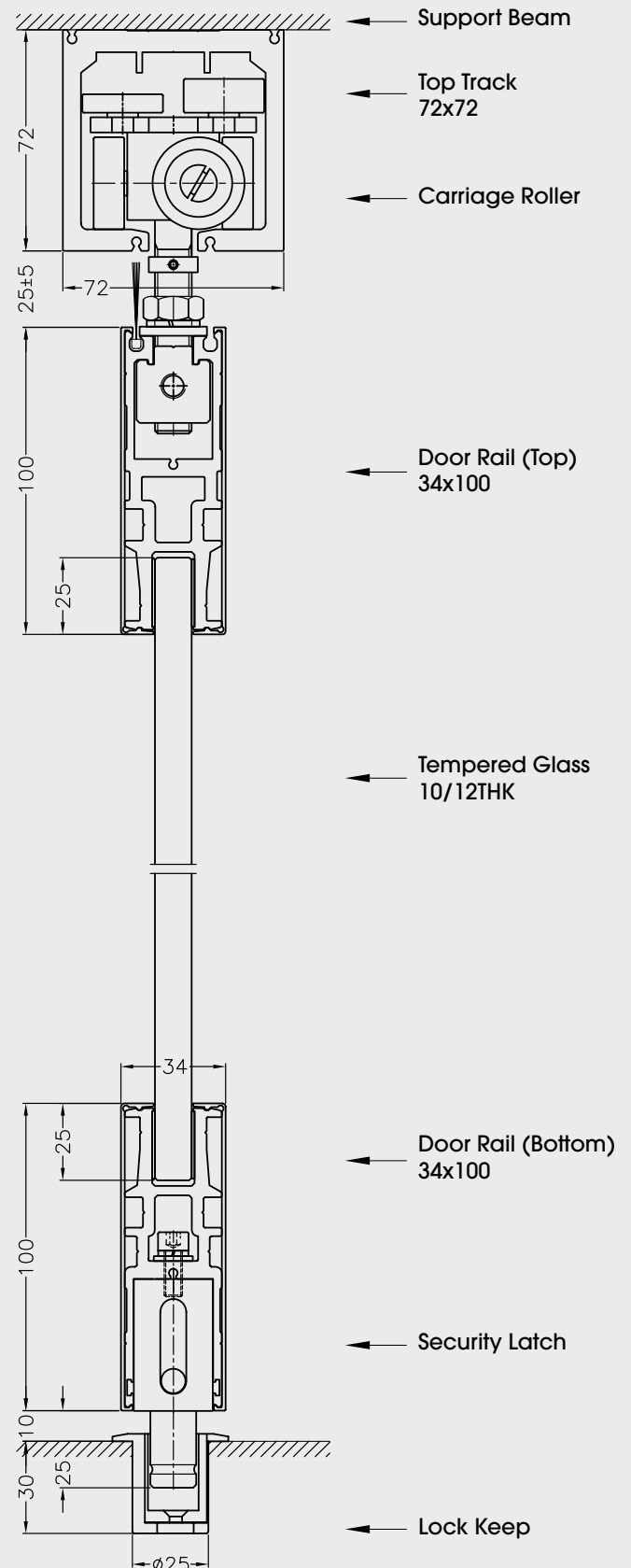
ESTRON Sliding-Stacking Door system is an aluminium track and hanger system which transports semi-frame glass panels and aluminium framed doors through 45, 90, 135 degree switches for closing off big opening areas by stacking the panels or doors. The advantage of this system is that there is no need to use a floor guide or channel guide on the floor. The only visible parts are the top and bottom door rails, so that even when the system is closed, it presents a clean, attractive, transparent frontage. Therefore the product is ideally suited for shop fronts, hotels, convention centers, corporate offices and private houses.



TYPICAL INSTALLATION

ESTRON sliding-stacking door systems are made up of the following components:

- Top Track for direct mounting to a steel girder or similar on the ceiling.
- Top and bottom rails composed of base rail, clip on covers and end caps, which are clamped onto the toughened glass panels.
- Roller, carriers, and carrier profiles which ensure that the panels sliding easily with minimum effort.
- Stacking areas, in which the sliding panels are neatly and compactly stacked when the door is opened.



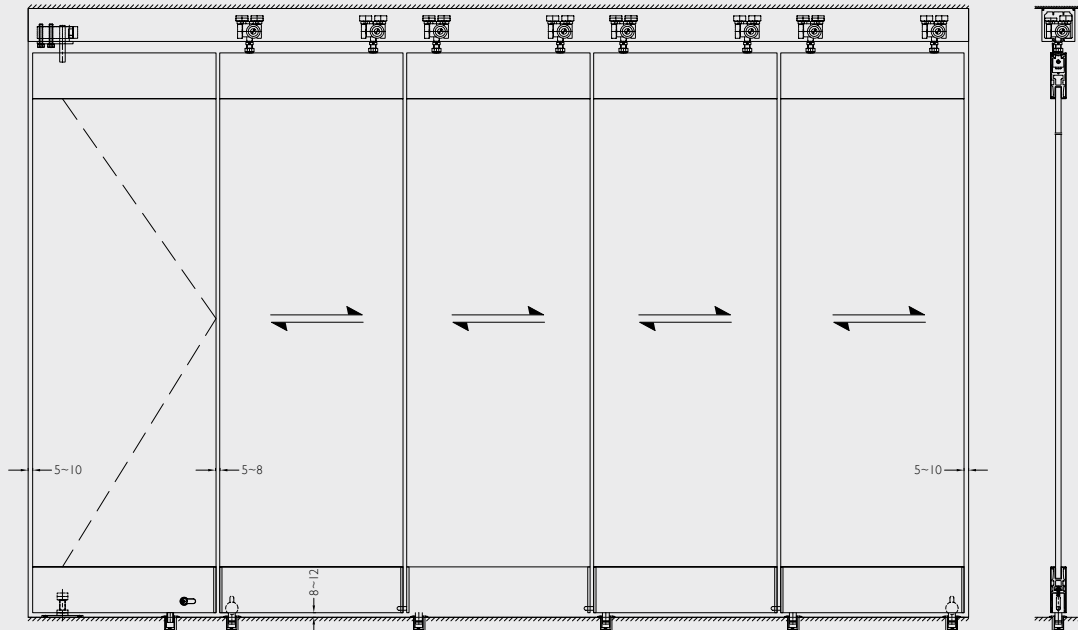
Door DIMENSION

Max. Panel Height: up to 3600mm

Max. Panel Width: up to 1100mm

Optimal Panel size for easy sliding approx: 800mm x 2500mm

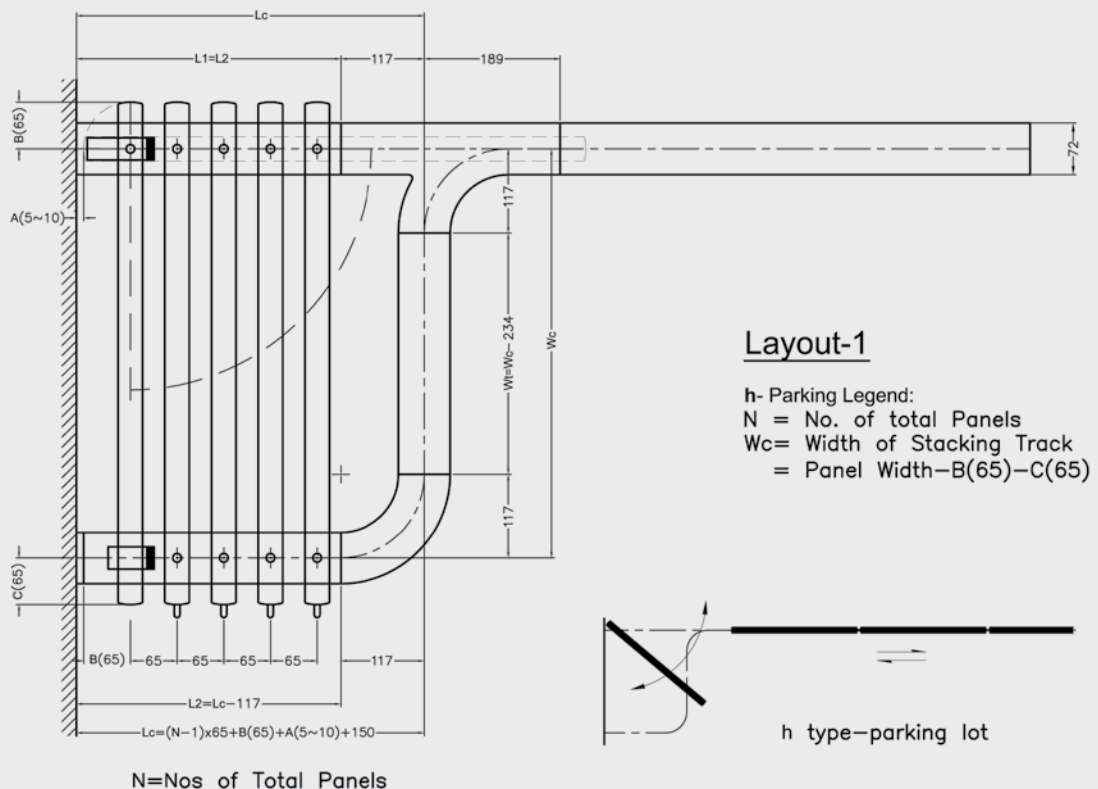
STACKING LAYOUT



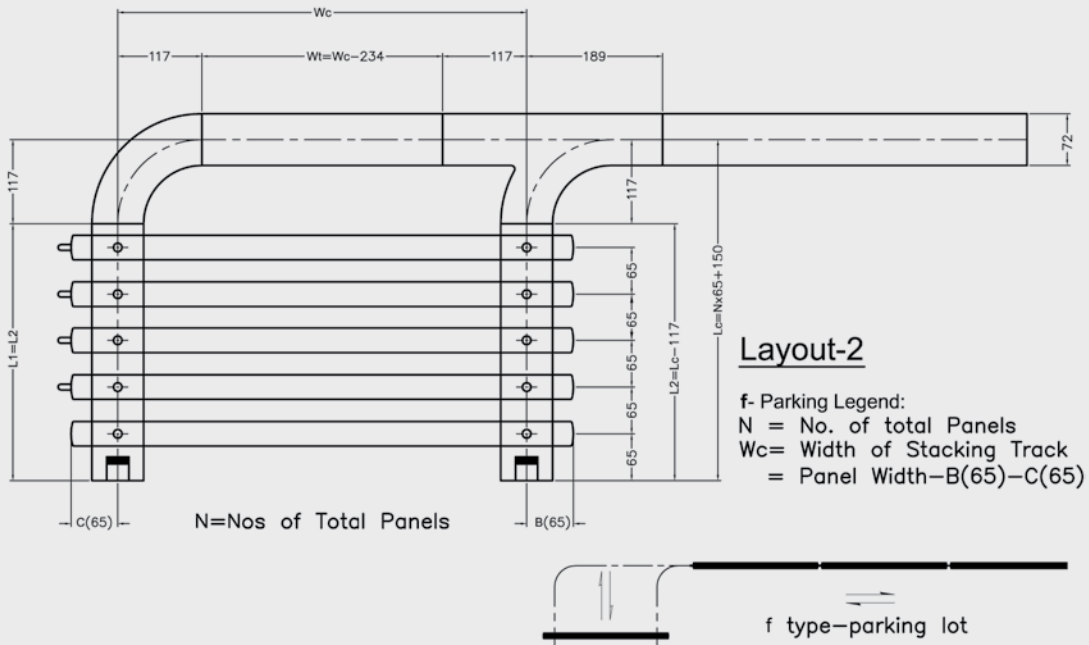
Most popular stacking layout, where the end panel might be a swing door.

1. Swing door (end panel)
2. Sliding panel
3. Stacking area (when the system is opened, sliding panels can be arranged to sliding to the left or to right)

TYPICAL PARKING CONFIGURATION



SLIDING-STACKING DOOR SYSTEM SS-100 **ESTRON**

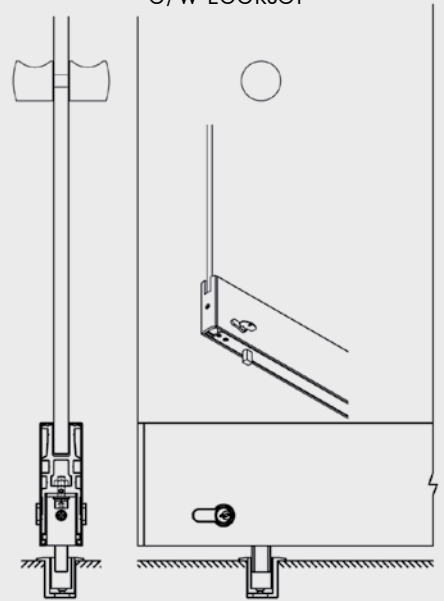
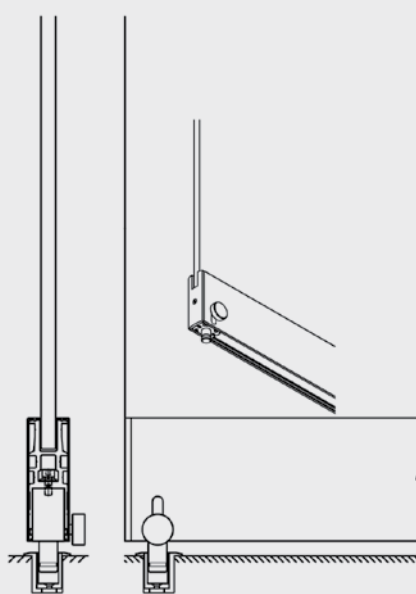
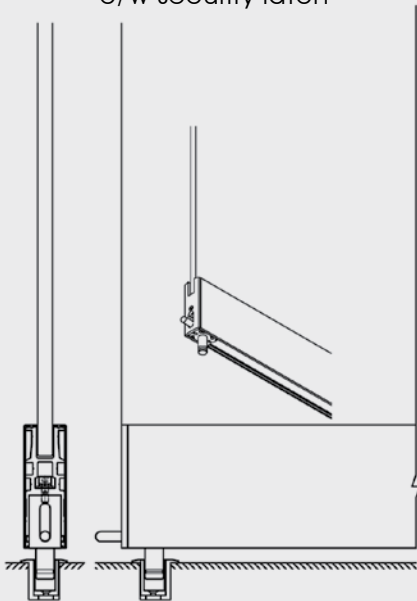


CROSS SECTION

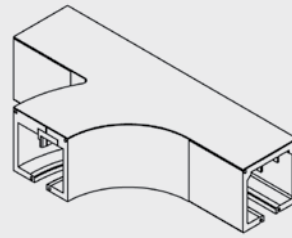
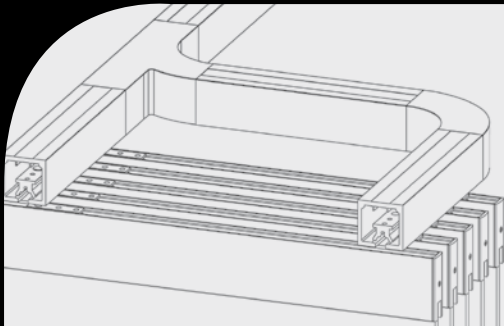
Sliding Panel
c/w security latch

Sliding Panel c/w
Thumb Push latch

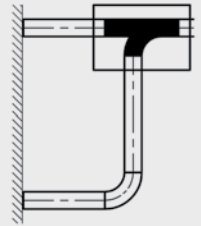
Sliding/Swing Panel
c/w Lockset



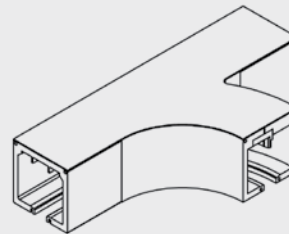
ALUMINIUM TOP TRACK



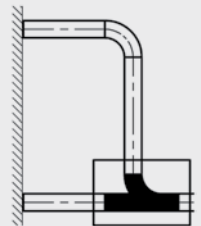
JB-100-90L



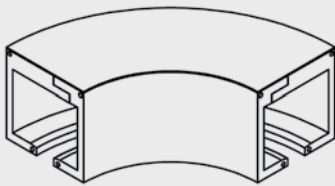
DWG-A



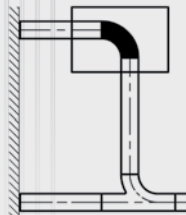
JB-100-90R



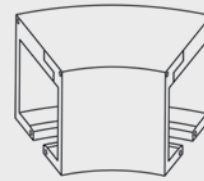
DWG-B



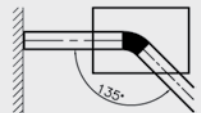
JB-100-L90



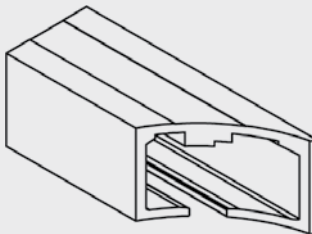
DWG-C



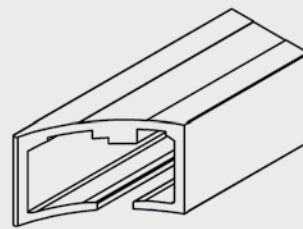
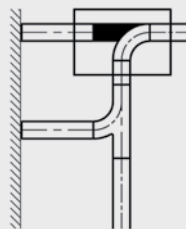
JB-100-45



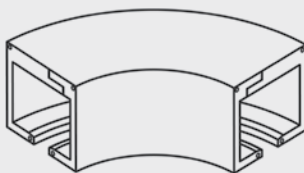
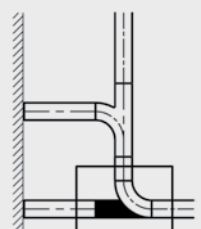
DWG-D



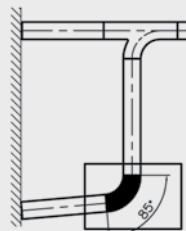
DWG-E



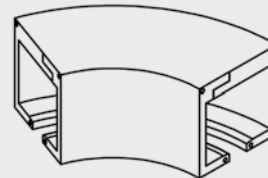
DWG-F



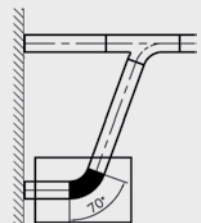
JB-100-L85



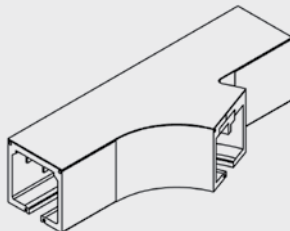
DWG-G



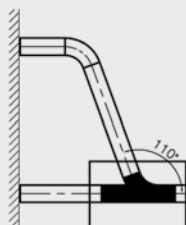
JB-100-L70



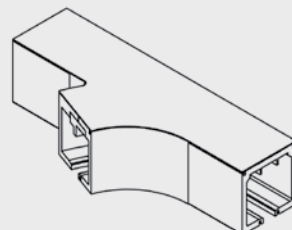
DWG-H



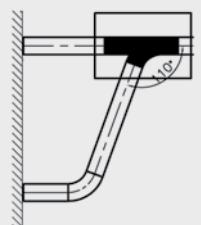
JB-100-110R



DWG-I

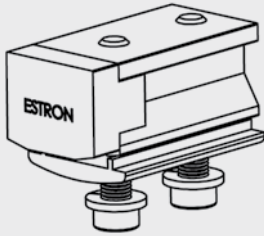


JB-100-110L

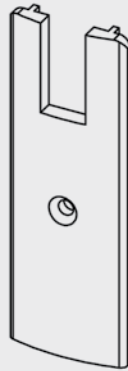


DWG-J

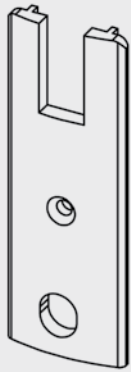
ACCESSORIES



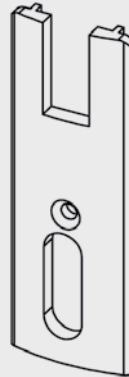
SP-100-040/060
Stopper



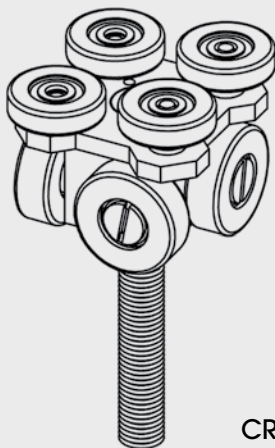
SDS-330-S
End Cap 1



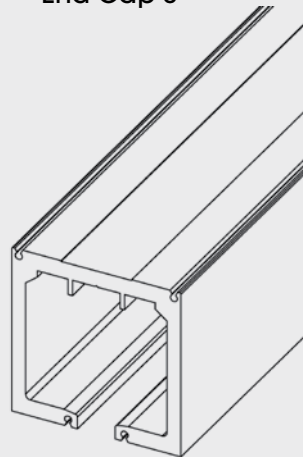
SDS-340-S
End Cap 2



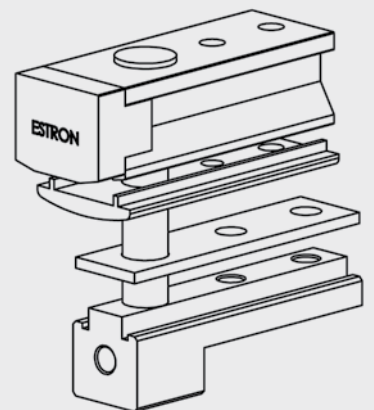
SDS-350-S
End Cap 3



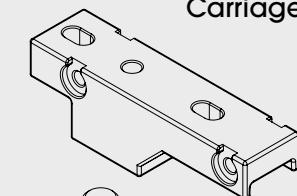
CR-100-SS
Carriage Roller



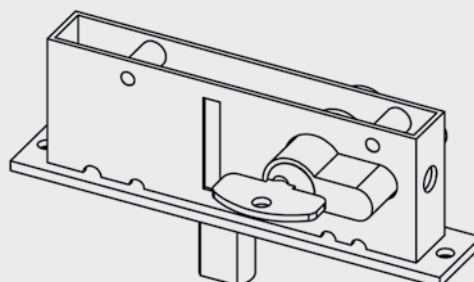
SDS-100-SS-N
Running Track



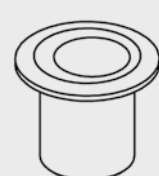
Top Pivot



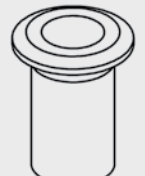
BP-100-Set
Floor Pivot



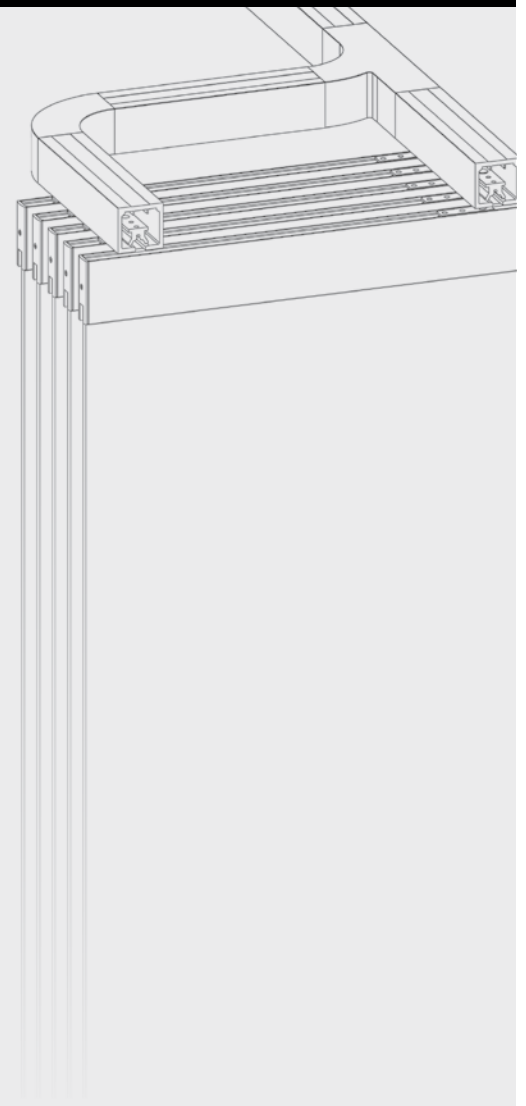
SDS-540
Lock Set



SDS-360-S



SDS-360B
Bolt Keeper





Estron Marketing Pte. Ltd.

141 Woodlands Industrial Park E5 E-terrace Singapore 757507

tel. +65 6853 9041 fax. +65 6853 9042

e-mail. sales@estron.com.sg url. www.estron.com.sg



*Product improvement is a continuous process,
please check specifications at point of purchase.*